

Caractéristiques:

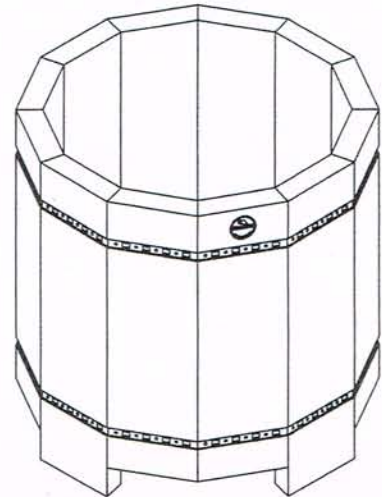
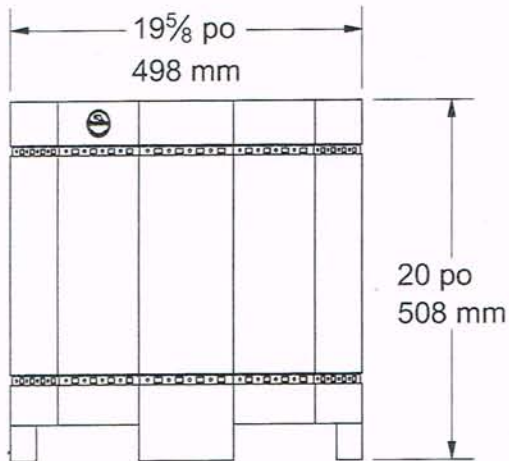
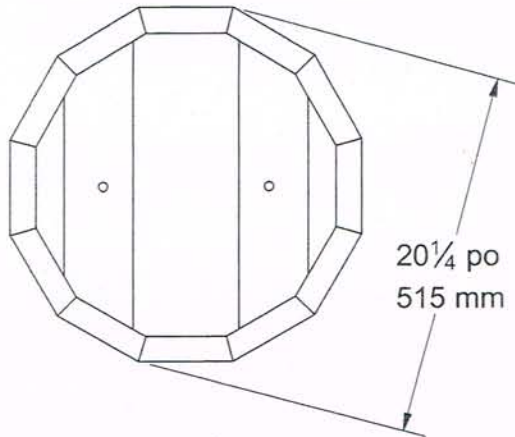
- Bac fait entièrement de plastique recyclé *ULTRAPLAST™*.
- Le bac est constitué de lattes 25mm x 102mm (1 1/4" x 4"), 25mm x 149mm (1 1/4" x 6"), 36mm x 86mm (2" x 4") et de 36mm x 137mm (2" x 6").
- Capacité: 28 litres (7.4 gal. US).
- Assemblé.

Détails d'installation standard:

- En surface.

Options:

- Ancrage standard en acier inoxydable.
- Ancrage antivol en acier inoxydable.



Features:

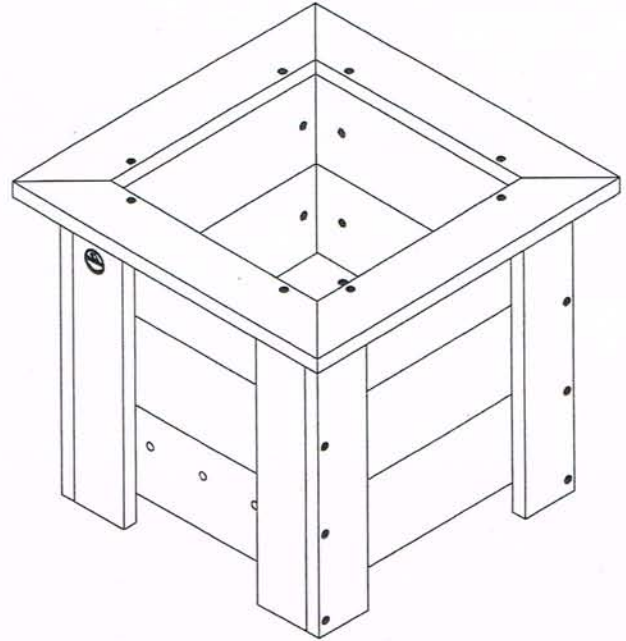
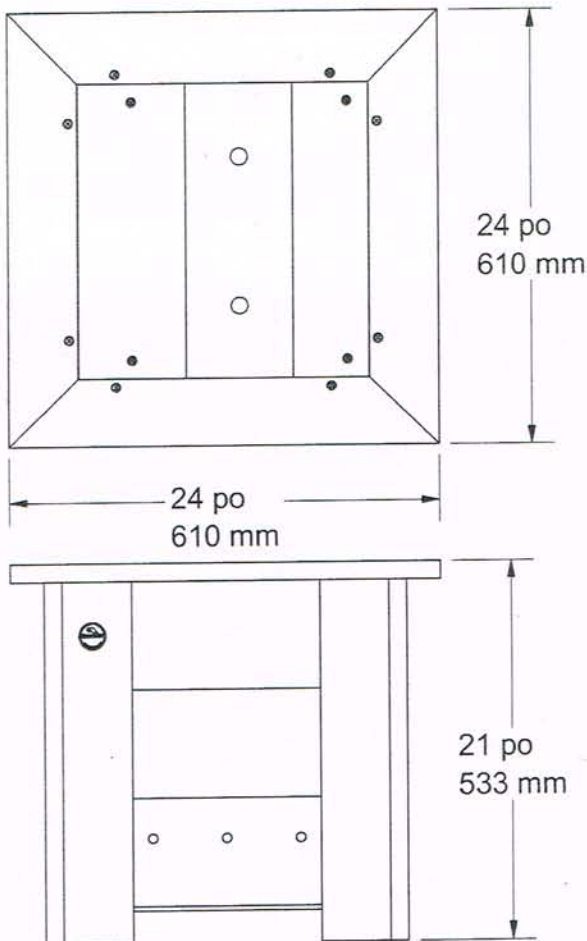
- The flower planter is completely made of *ULTRAPLAST™* recycled plastic.
- The bottom of flower planter is black.
- The side and bottom slats are made of 1 1/4" x 4" (25mm x 102mm) *ULTRAPLAST™* recycled plastic.
- Two stainless steel bands strips hold the assembly.
- Capacity: 26 gal. US (100 liters).
- Factory assembled.

Standard installation details:

- Surface mounted.
- In-ground mounted.

Options:

- Stainless steel anti-theft hardware.
- Stainless steel anti-theft anchor.



Features:

- The flower planter is completely made of *ULTRAPLAST™* recycled plastic.
- The side and bottom slats are in 1 1/4" x 4" (25mm x 102mm), 1 1/4" x 6" (25mm x 152mm) and 2" x 3" (36mm x 62mm).
- Capacity: 19 gal. US (71 liters).
- Factory assembled.

Standard installation details:

- Surface mounted.
- In-ground mounted.

Options:

- Stainless steel anti-theft hardware.
- Stainless steel anti-theft anchor.

ENVIR CURB

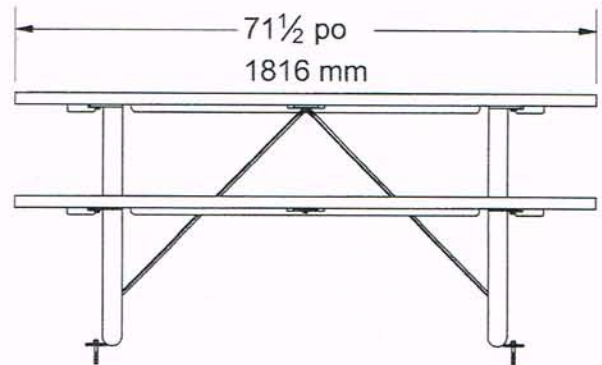
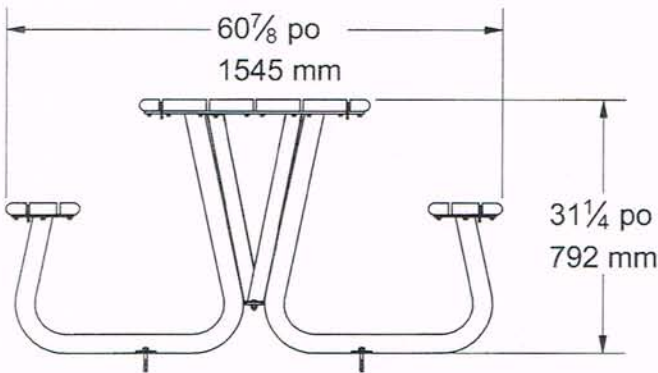
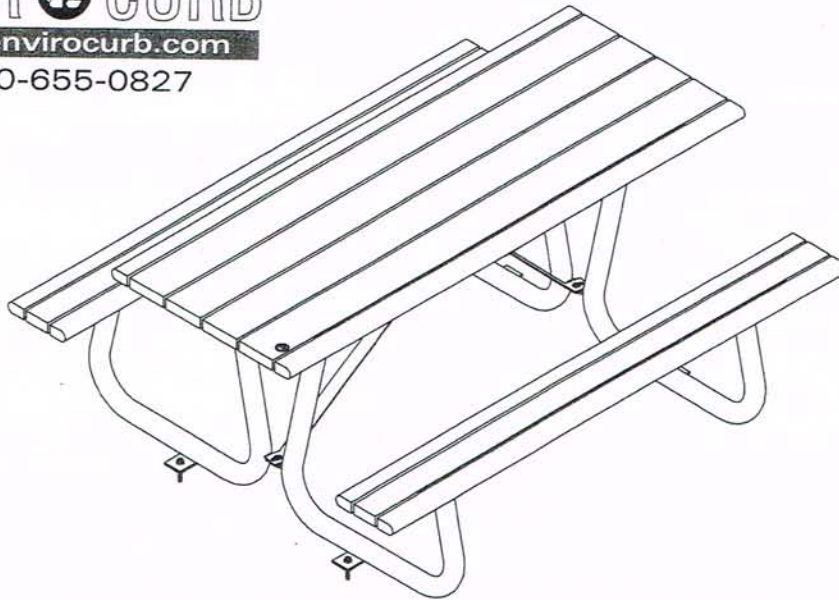
www.envirocurb.com

1-800-655-0827

Public Place Series - 72" Picnic Table

#174403

Rev.: May 2nd, 2011



Features:

- The table is made of *ULTRAPLAST*™ recycled plastic and its structure is of hot-galvanized steel.
- The bench slats measure 2" x 4" (37mm x 86mm) and the Bullnose slats measure 2" x 3" (37mm x 62mm).
- The table slats measure 2" x 6" (37mm x 137mm) and the Bullnose slats measure 2" x 3" (37mm x 62mm).
- Tubular steel legs, 2 3/8" diameter (DIA 60mm).
- Steel longitudinal reinforcements, 3/16" x 2" (4.8mm x 51mm).
- Chameleon hardware.
- Stainless steel standard anchor for concrete.
- Factory assembled.

Standard installation details:

- Surface mounted.

Options:

- Stainless steel anti-theft hardware.
- Stainless steel anti-theft anchor.
- InfiniGuard professional anticorrosion system coating.
- Shipped ready to be assembled.

Weight: 268 Lb.

ENVIR  CURB

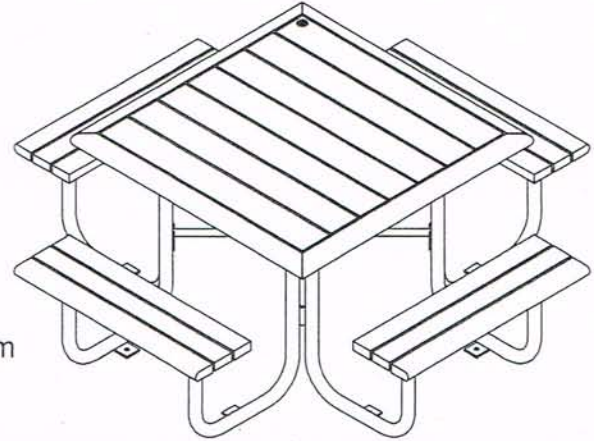
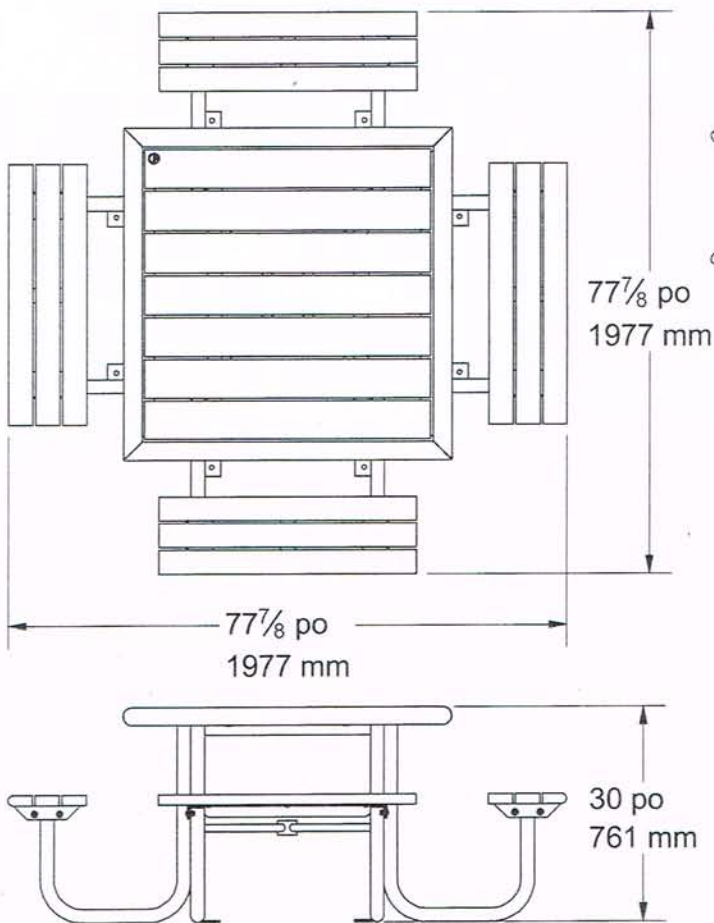
www.envirocurb.com

1-800-655-0827

Public Place Series - Square Picnic Table

#174408

Rev.: January 17th, 2011



Square Picnic Table #174408 "Public Place Series"

- The table is made of **ULTRAPLAST™** recycled plastic and its steel structure is coated with our "InfiniGuard Professional" anti-corrosion system.
- The bench slats measure 2" x 4" (37mm x 86mm) and the Bullnose slats measure 2" x 4" (37mm x 86mm).
- The table slats measure 2" x 6" (37mm x 137mm) and the Bullnose slats measure 3" x 3" (62mm x 62mm).
- Tubular steel legs, 1.9" diameter (DIA 48mm).
- Chameleon hardware.
- Stainless steel standard anchor for concrete.
- Factory assembled.

Standard installation details:

- Surface mounted.

Options:

- Stainless steel anti-theft anchor.
- Hole for an umbrella.
- Granite or aluminium chess-board 14" (356mm).
- Granite or aluminium chess-board 16" (406mm).
- Stainless steel anti-theft hardware.
- Semi-assembled.

Square picnic-table, ULTRAPLAST™, weight: 320 Lb.

ENVIR CURB

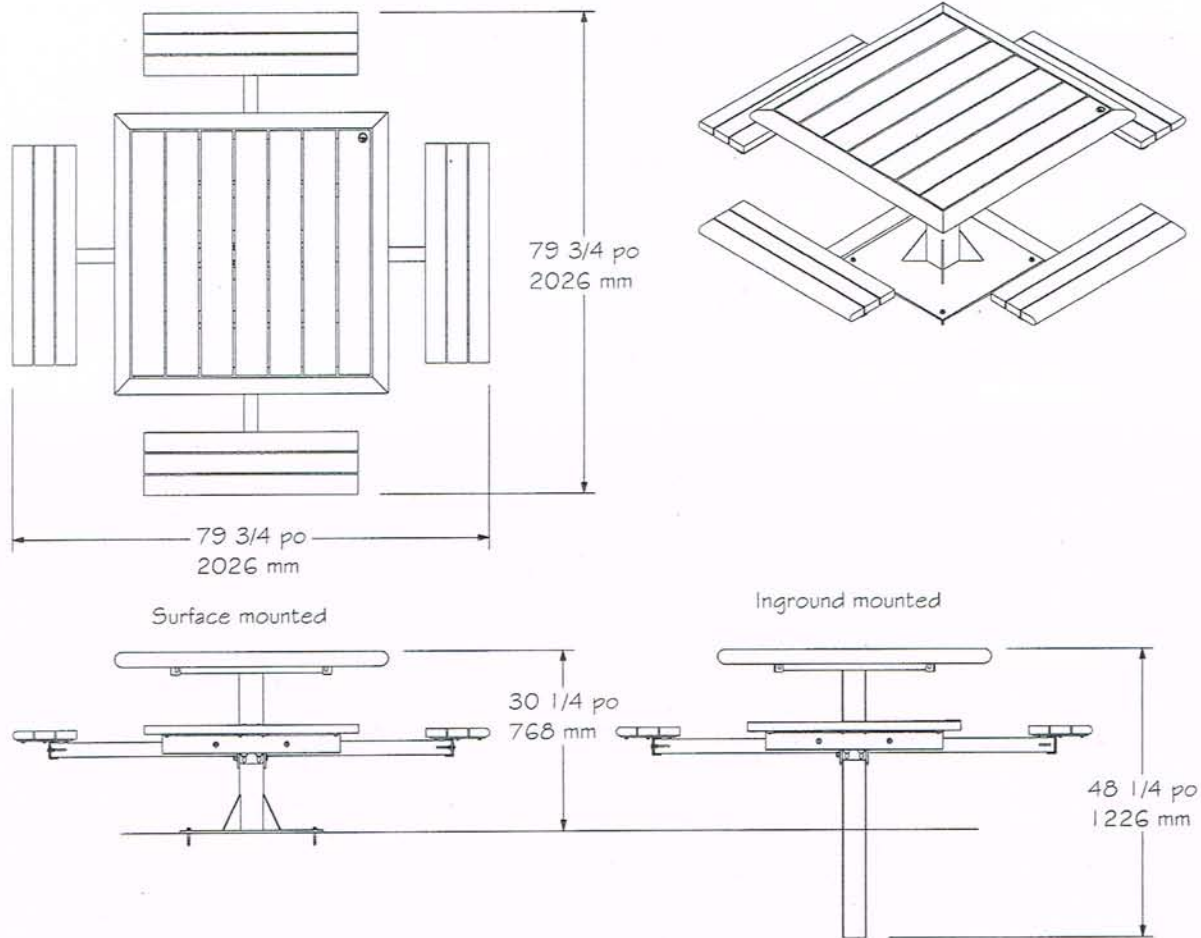
www.envirocurb.com

1-800-655-0827

Public Place Series - Picnic table 79 3/4" x 79 3/4"

#174409

Rev.: May 2nd, 2011



Features:

- The table is made of *ULTRAPLAST*TM recycled plastic and its steel structure is coated with our "InfiniGuard Professional" anti-corrosion system.
- The bench slats measure 2" x 4" (37mm x 86mm) and with Bullnose 2" x 4" (37mm x 86mm).
- The table slats measure 2" x 6" (37mm x 137mm) and with Bullnose 3" x 3" (62mm x 62mm).
- Tubular steel seat support, 2 3/8" of diameter (DIA 60mm) and tubular steel leg 4" x 4" (102mm x 102mm).
- Stainless steel standard anchor for concrete.
- Cameleon hardware.
- Factory assembled.

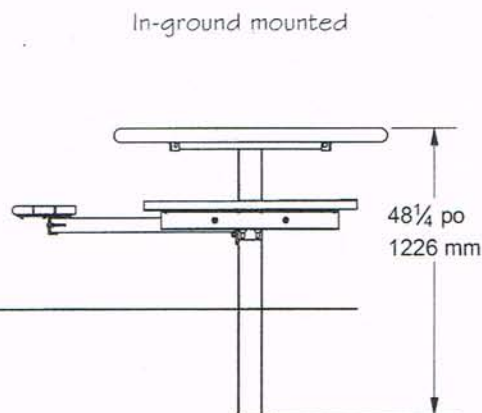
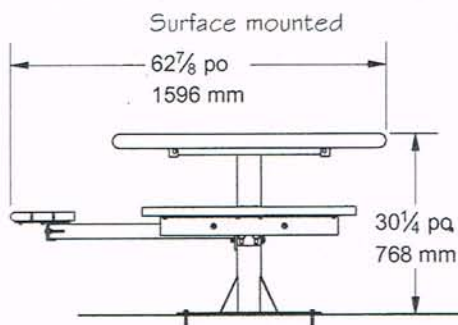
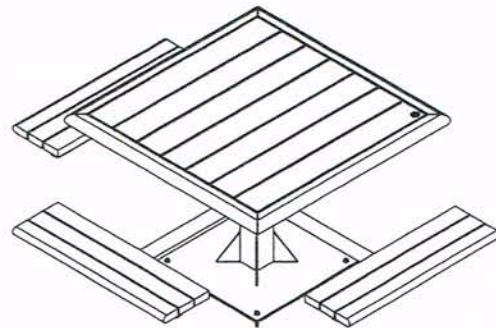
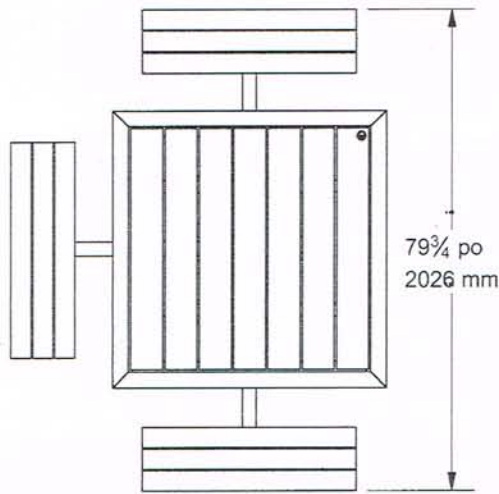
Standard installation details:

- Surface mounted.
- In-ground mounted

Options:

- Stainless steel anti-theft anchor.
- Hole to receive an umbrella.
- Stainless steel anti-theft hardware.
- Granite or aluminium chess-board 14" (356mm).
- Granite or aluminium chess-board 16" (406mm).
- Semi-assembled.

Weight : 200 Lb.



Features:

- The table is made of *ULTRAPLAST™* recycled plastic and its steel structure is coated with our "InfiniGuard Professional" anti-corrosion system.
- The bench slats measure 2" x 4" (37mm x 86mm) and with Bullnose 2" x 4" (37mm x 86mm).
- The table slats measure 2" x 6" (37mm x 137mm) and with Bullnose 3" x 3" (62mm x 62mm).
- Tubular steel seat support, 2 3/8" of diameter (DIA 60mm) and tubular steel leg 4" x 4" (102mm x 102mm).
- Stainless steel standard anchor for concrete.
- Cameleon hardware.
- Wheelchair accessible.
- Factory assembled.

Standard installation details:

- Surface mounted.
- In-ground mounted

Options:

- Stainless steel anti-theft anchor.
- Hole to receive an umbrella.
- Stainless steel anti-theft hardware.
- Granite or aluminium chess-board 14" (356mm).
- Granite or aluminium chess-board 16" (406mm).
- Semi-assembled.

ENVIR  CURB

www.envirocurb.com

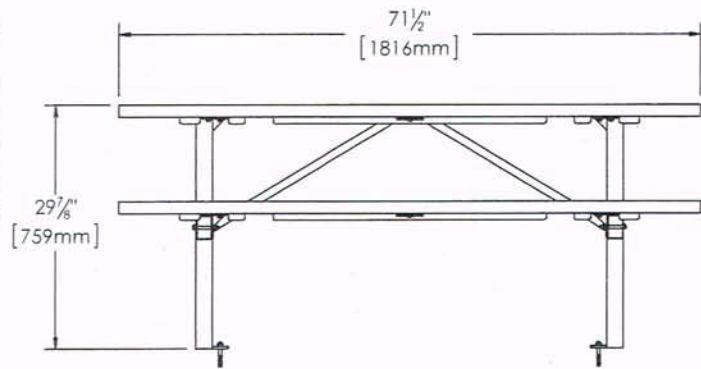
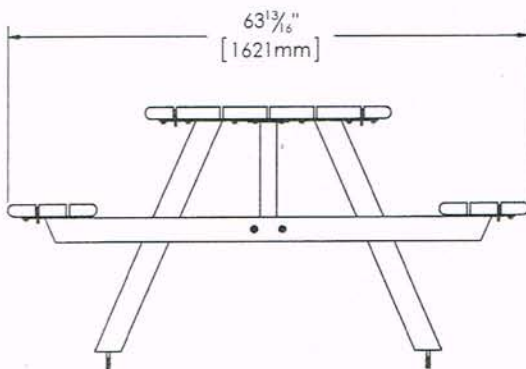
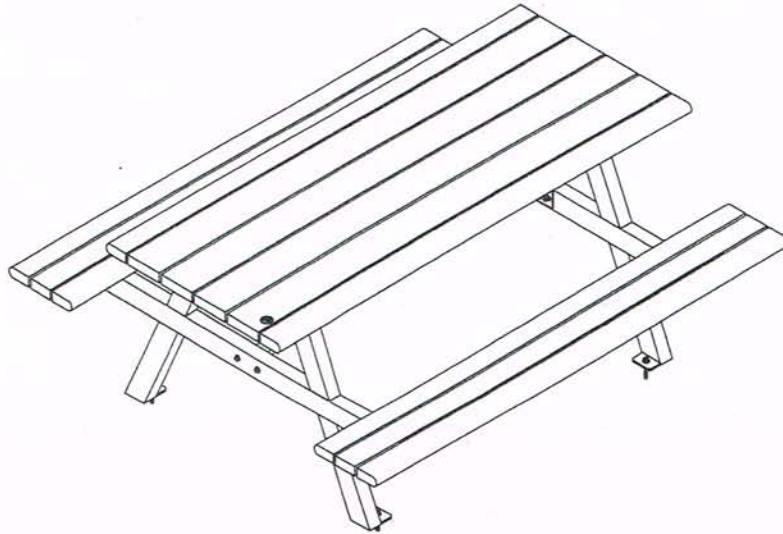
1-800-655-0827

c)

Classic Series - 72" Picnic Table

#174411-2X3

Rév.: March 28th, 2014



Features:

- The picnic table is made of **ULTRAPLAST™** recycled plastic and its structure is made of steel coated with our "InfiniGuard Professional" anti-corrosion system.
- The seat slats are made of 2" x 4" (37mm x 86mm) with Bullnose 2" x 3" (37mm x 62mm).
- The table slats are made of 2" x 6" (37mm x 137mm) with Bullnose 2" x 3" (37mm x 62mm).
- Tubular steel structure, 2" x 3" (51mm x 76mm).
- Steel longitudinal reinforcement 3/16" x 2" thickness (4.8mm x 51mm).
- Stainless steel standard anchor.
- Chameleon hardware.
- Factory assembled.

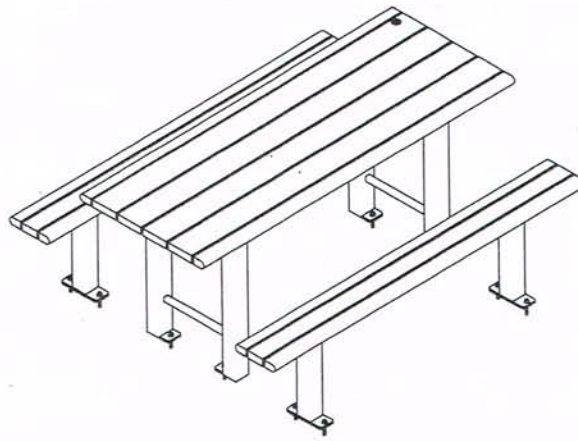
Standard installation details:

- Surface mounted.

Options:

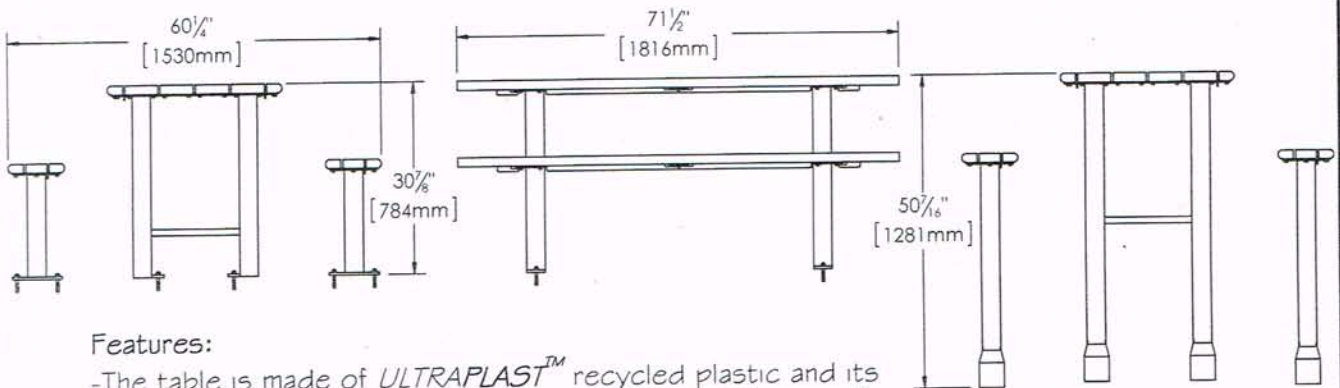
- Stainless steel anti-theft anchor.
- In-ground permanent anchor.
- Stainless steel anti-theft hardware.

Weight;306 lb.



Surface mounted

In-ground mounted



Features:

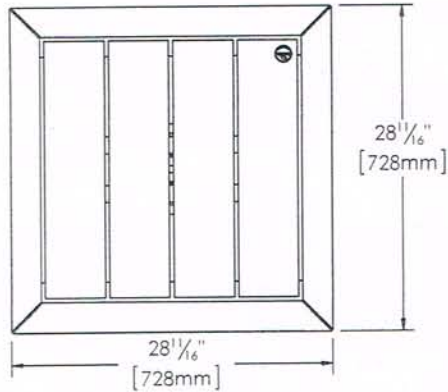
- The table is made of *ULTRAPLAST™* recycled plastic and its steel structure is coated with our "InfiniGuard Professional" anti-corrosion system.
- The bench slats measure 2" x 4" (37mm x 86mm) and the Bullnose slats measure 2" x 3" (37mm x 62mm).
- The table slats measure 2" x 6" (37mm x 137mm) and the Bullnose slats measure 2" x 3" (37mm x 62mm).
- Tubular steel legs, 3" x 3" (76mm x 76mm).
- Steel longitudinal reinforcements, 3/16" x 2" (4.8mm x 51mm).
- Stainless steel standard anchor for concrete.
- Chameleon hardware.
- Factory assembled.

Standard installation details:

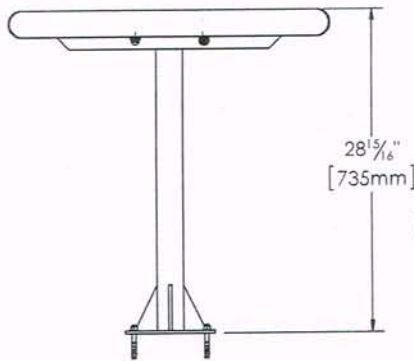
- Surface mounted.
- In-ground mounted.

Options:

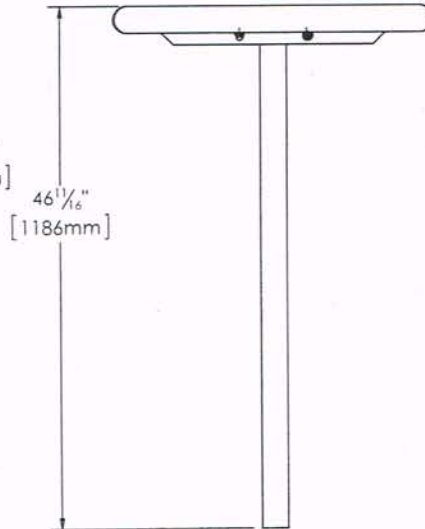
- Stainless steel anti-theft hardware.
- Stainless steel anti-theft anchor.



Surface mounted



In-ground mounted



Features:

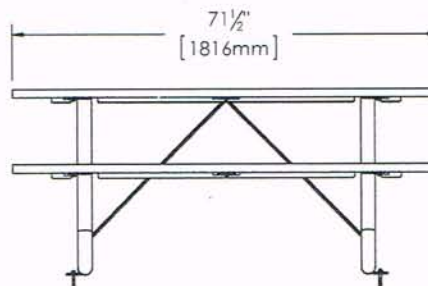
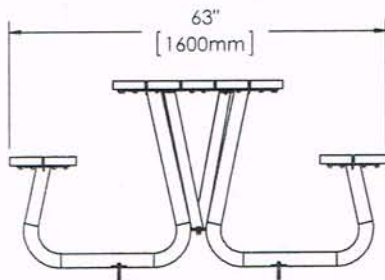
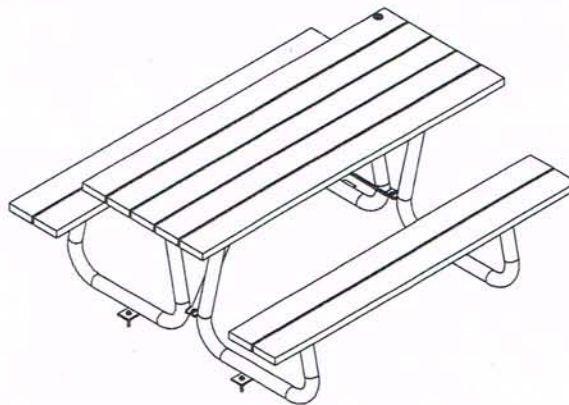
- The table is made of *ULTRAPLAST™* recycled plastic and its steel structure is coated with our "InfiniGuard Professional" anti-corrosion system.
- The table slats measure 2" x 6" (37mm x 137mm) and the Bullnose slats measure 3" x 3" (62mm x 62mm).
- Tubular steel legs, Ø2 3/8" (Ø60mm).
- Stainless steel standard anchor for concrete.
- Chameleon hardware.
- Factory assembled.

Standard installation details:

- Surface mounted.
- In-ground mounted.

Options:

- Stainless steel anti-theft hardware.
- Stainless steel anti-theft anchor.
- Granite or aluminium chess board 14" x 14" (356mm x 356mm).
- Granite or aluminium chess board 16" x 16" (406mm x 406mm).
- Semi-assembled.

**Features:**

- The table is made of *ULTRAPLAST™* recycled plastic and its structure is made of hot-galvanized steel.
- The bench and table slats measure 2" x 6" (37mm x 137mm).
- Tubular steel legs, 2 3/8" diameter (DIA 60mm).
- Steel longitudinal reinforcements, 3/16" x 2" (4.8mm x 51mm) and steel angle 1 1/2" x 1 1/2" x 1/82 (38mm x 38mm x 3.2mm).
- Wheelchair accessible.
- Chameleon hardware.
- Stainless steel standard anchor for concrete.
- Factory assembled.

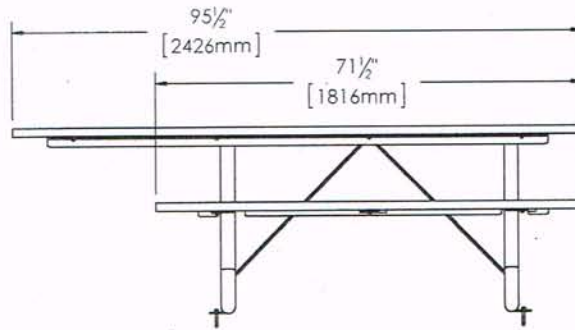
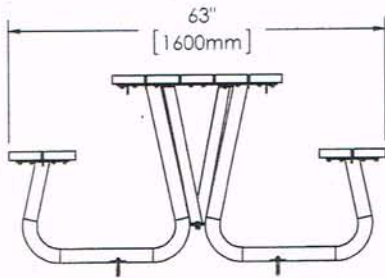
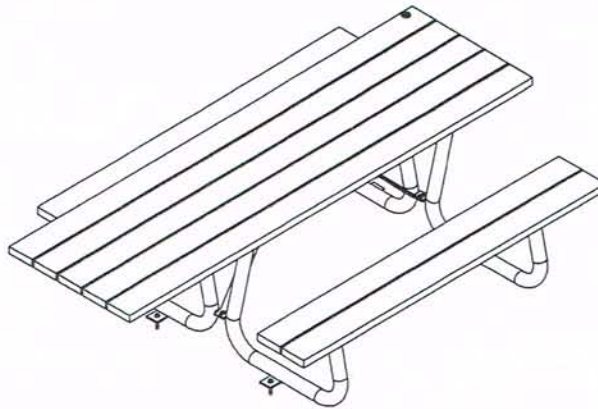
Standard installation details:

- Surface mounted.

Options:

- Stainless steel anti-theft hardware.
- Stainless steel anti-theft anchor.
- BBQ support.
- InfiniGuard professional anticorrosion system coating.
- Shipped ready to be assembled.

(c)



Features:

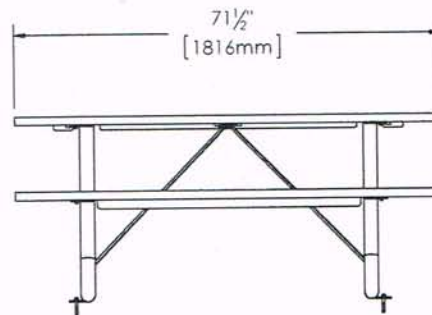
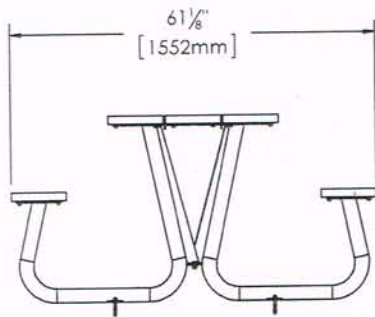
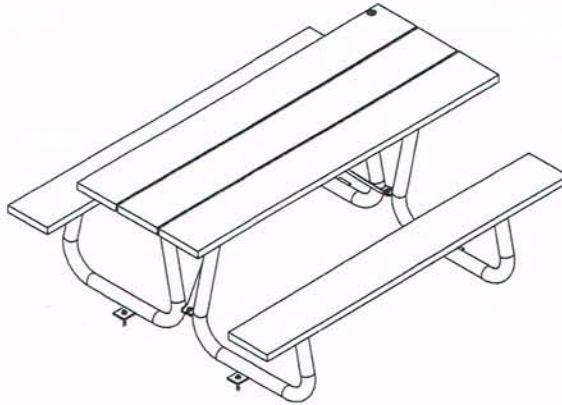
- The table is made of *ULTRAPLAST™* recycled plastic and its structure is made of hot-galvanized steel.
- The bench and table slats measure 2" x 6" (37mm x 137mm).
- Tubular steel legs, 2 3/8" diameter (DIA 60mm).
- Steel longitudinal reinforcements, 3/16" x 2" (4.8mm x 51mm) and steel angle 1 1/2" x 1 1/2" x 1/8" (38mm x 38mm x 3.2mm).
- Wheelchair accessible.
- Chameleon hardware.
- Stainless steel standard anchor for concrete.
- Factory assembled.

Standard installation details:

- Surface mounted.

Options:

- Stainless steel anti-theft hardware.
- Stainless steel anti-theft anchor.
- InfiniGuard professional anticorrosion system coating.
- Shipped ready to be assembled.



Features:

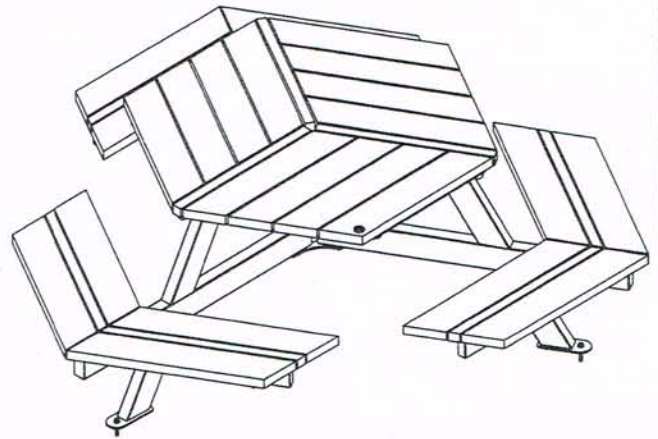
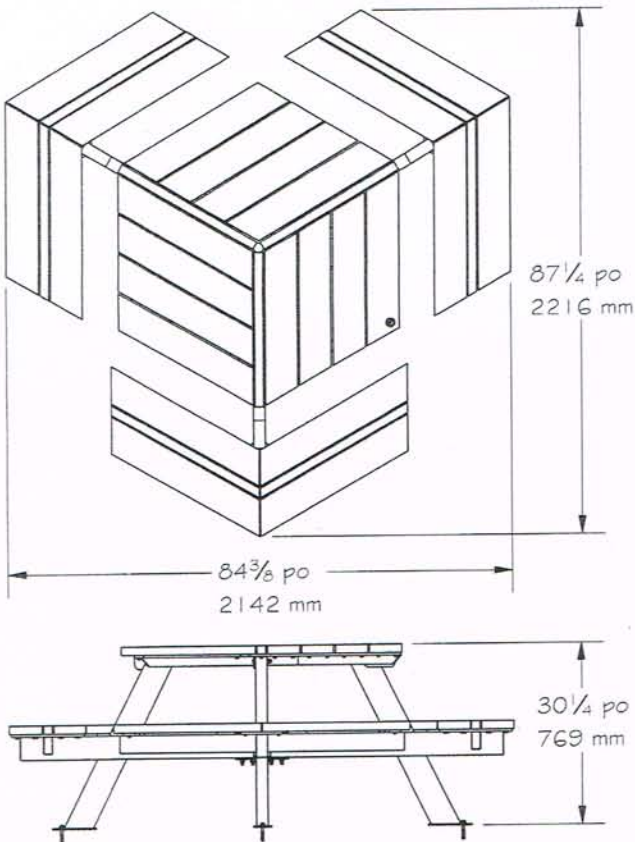
- The table is made of *ULTRAPLAST™* recycled plastic and its structure is made of hot-galvanized steel.
- The bench and table slats measure 2" x 10" (37mm x 235mm).
- Tubular steel legs, 2 3/8" diameter (DIA 60mm).
- Steel longitudinal reinforcements, 3/16" x 2" (4.8mm x 51mm) and steel angle 1 1/2" x 1 1/2" x 1/82 (38mm x 38mm x 3.2mm).
- Wheelchair accessible.
- Chameleon hardware.
- Stainless steel standard anchor for concrete.
- Factory assembled.

Standard installation details:

- Surface mounted.

Options:

- Stainless steel anti-theft hardware.
- Stainless steel anti-theft anchor.
- BBQ support.
- InfiniGuard professional anticorrosion system coating.
- Shipped ready to be assembled.



Features:

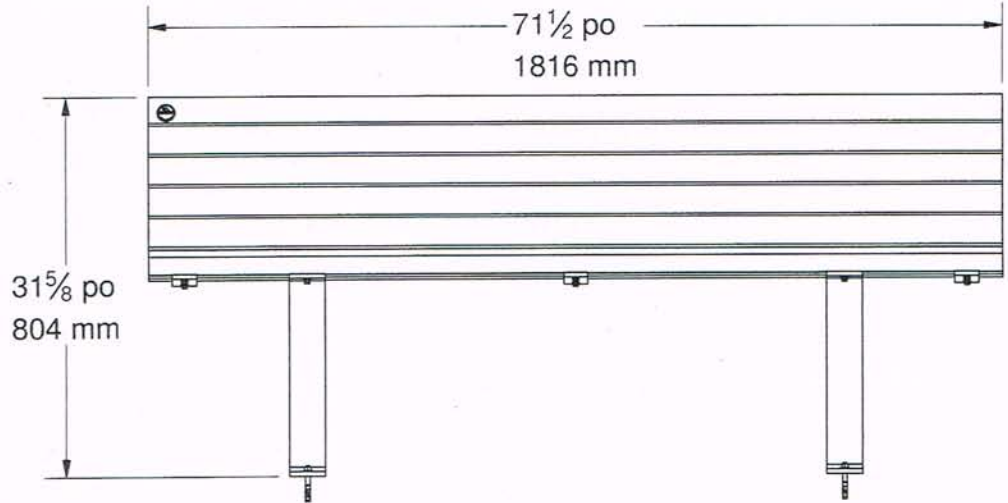
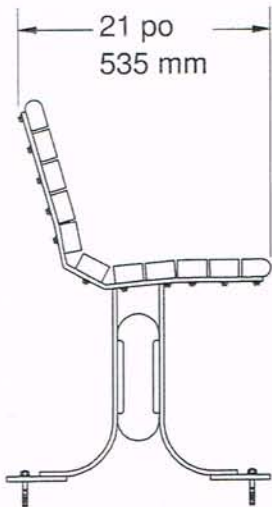
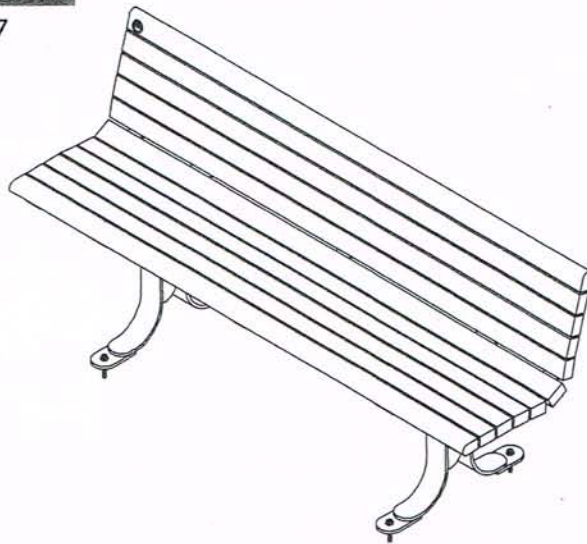
- This table is made of **ULTRAPLAST™** recycled plastic and its structure is made of steel coated with our "InfiniGuard Professional" anticorrosion system.
- The bench and table are made of slats 2" x 6" (37mm x 137mm) and the smaller slats are made of 2" x 2" (51mm x 51mm).
- Tubular steel structure, 2" x 4" (51mm x 102mm).
- Tubular steel seat support, 1 1/2" x 3" (38mm x 76mm).
- Hole for umbrella: 1 11/16" diameter (Ø297mm).
- Chameleon hardware.
- Stainless steel standard concrete anchor.
- Shipped assembled.

Standard installation details:

- Surface-mounted.

Options:

- Stainless steel anti-theft anchor.
- In-ground permanent anchor.
- Stainless steel anti-theft hardware.
- Semi-assembled.



Features:

- The bench is made of **ULTRAPLAST** recycled plastic and structure is made of steel coated with our "InfiniGuard Professional" anticorrosion system.
- Bench slats and the Bullnose slats are made of 2" x 3" (37mm x 62mm).
- Flat steel curved legs, 3/8" x 3" (10mm x 76mm).
- Flat steel seat support, 3/8" x 2" (10mm x 51mm).
- Chameleon hardware.
- Stainless steel standard anchor.
- Factory-assembled.

Standard installation details:

- Surfaced mounted.

Options:

- Stainless steel anti-theft anchor.
- In-ground permanent anchor.
- Cast aluminium armrest.
- Stainless steel anti-theft hardware.

ENVIR  CURB

www.envirocurb.com

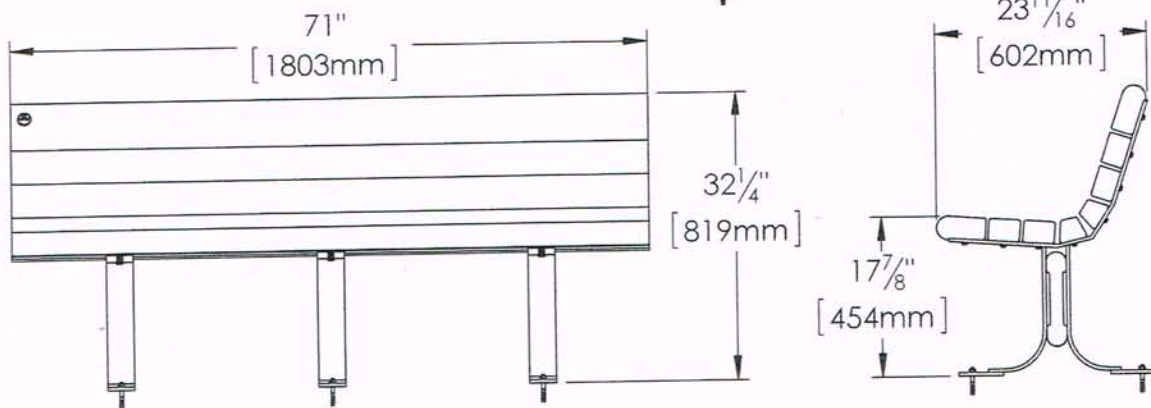
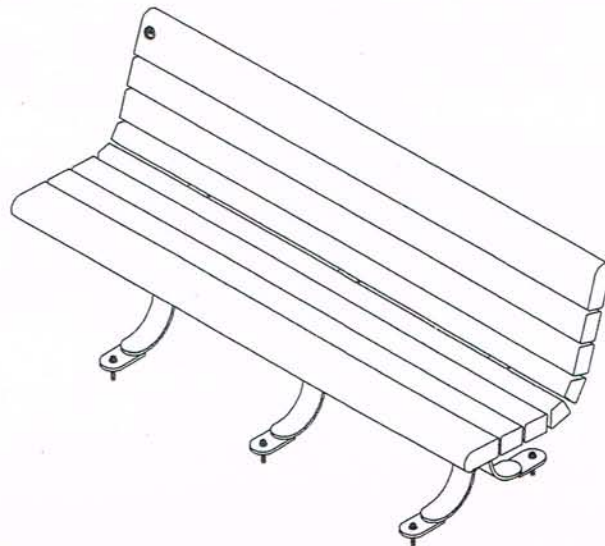
1-800-655-0827

Nicolet Series - 72" Bench

#191088

Rév.: November 1st, 2013

c)



Features:

- The bench is made of **ULTRAPLAST™** recycled plastic and structure is made of steel coated with our "InfiniGuard Professional" anticorrosion system.
- Bench slats 3" x 4" (64mm x 89mm), trapezoidal 3" x 4" (62mm x 76mm) and the Bullnose slats are made of 3" x 6" (68mm x 140mm).
- Flat steel curved legs, 3/8" x 3" (10mm x 76mm).
- Chameleon hardware.
- Stainless steel standard anchor.
- Factory assembled.

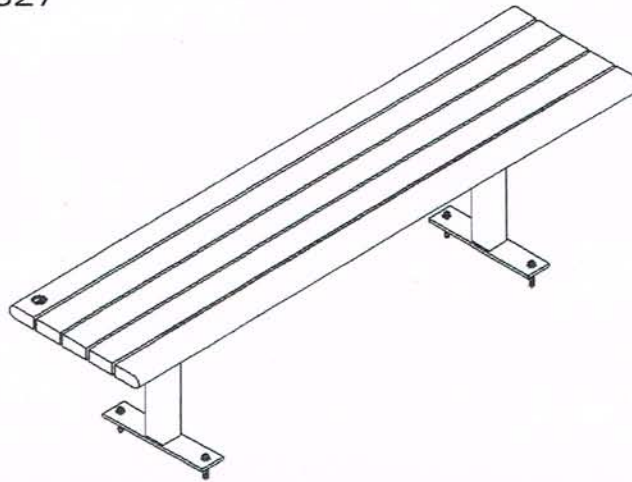
Standard installation details:

- Surface mounted.

Options:

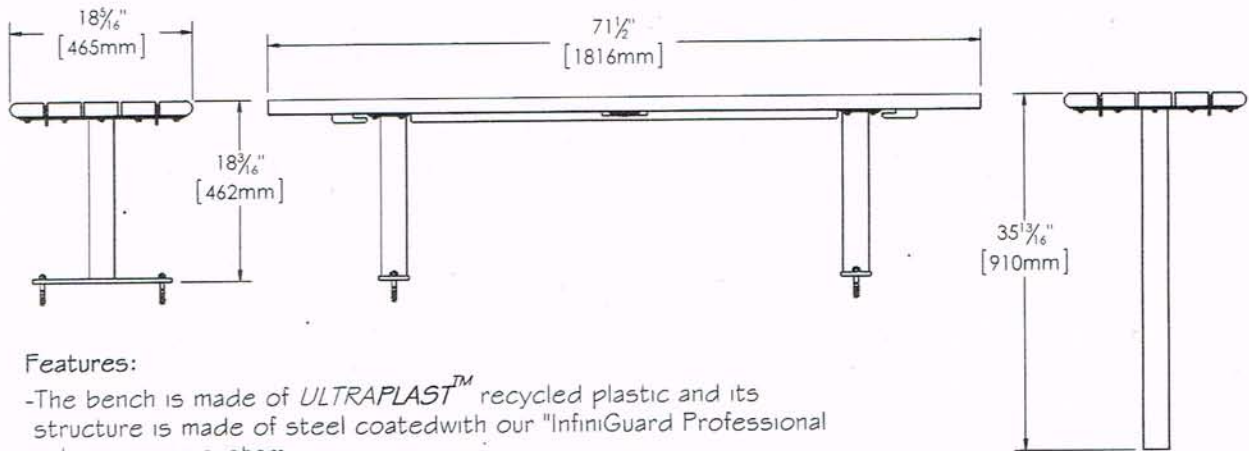
- Stainless steel anti-theft hardware.
- Stainless steel anti-theft anchor.
- Armrest.

Weight; 123 Kg.



Surface mounted

In-ground mounted



Features:

- The bench is made of *ULTRAPLAST™* recycled plastic and its structure is made of steel coated with our "InfiniGuard Professional anticorrosion system.
- The bench slats measure 2" x 4" (37mm x 86mm) and the Bullnose slats measure 2" x 4" (37mm x 86mm).
- Tubular steel legs, 2 1/2" x 2 1/2" (64mm x 64mm).
- Flat steel seat structure, 3/16" x 2" (4mm x 51mm).
- Flat steel seat support, 3/8" x 3" (10mm x 76mm).
- Stainless steel standard anchor for concrete.
- Chameleon hardware.
- Factory assembled.

Standard installation details:

- Surface mounted.
- In-ground mounted.

Options:

- Stainless steel anti-theft hardware.
- Stainless steel anti-theft anchor.
- Armrest.

ENVIR  CURB

www.envirocurb.com

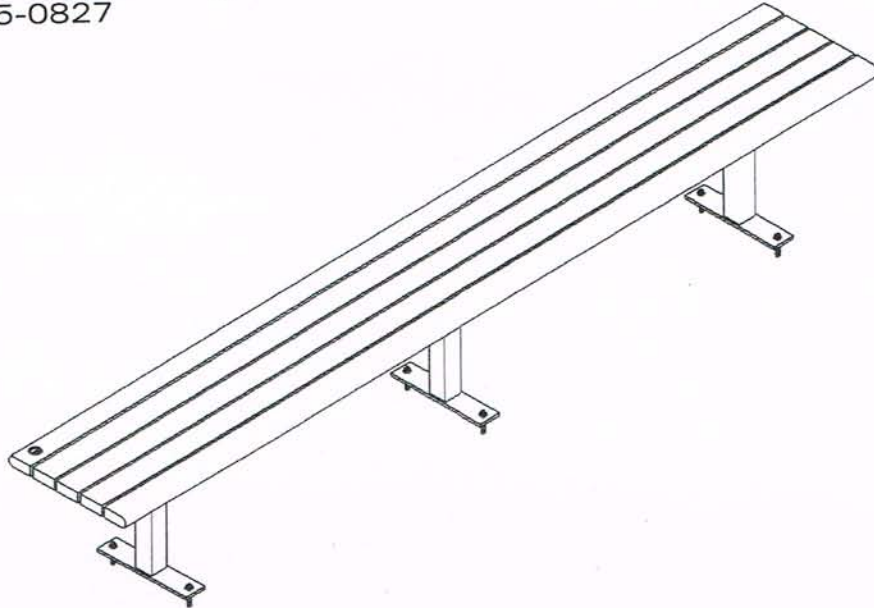
1-800-655-0827

(c)

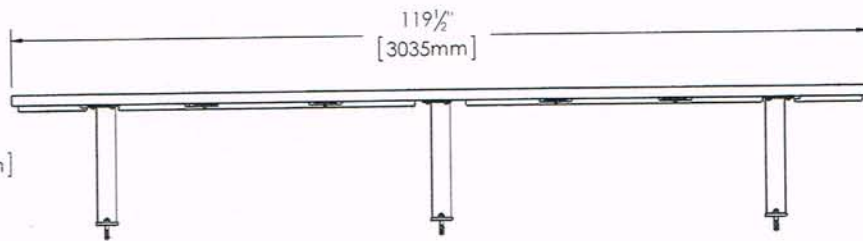
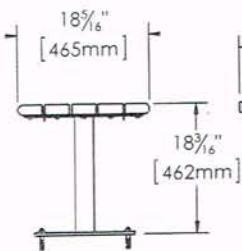
Public Place Series - 120" Straight Bench

#194044-10

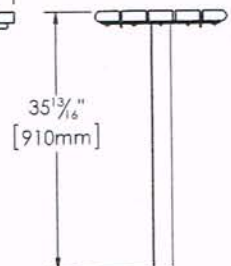
Rév.: March 1st, 2014



Surface mounted



In-ground mounted



Features:

- The bench is made of *ULTRAPLAST™* recycled plastic and its structure is made of steel coated with our "InfiniGuard Professional anticorrosion system.
- The bench slats measure 2" x 4" (37mm x 86mm) and the Bullnose slats measure 2" x 4" (37mm x 86mm).
- Tubular steel legs, 2 1/2" x 2 1/2" (64mm x 64mm).
- Flat steel seat structure, 3/16" x 2" (4mm x 51mm).
- Flat steel seat support, 3/8" x 3" (10mm x 76mm).
- Stainless steel standard anchor for concrete.
- Chameleon hardware.
- Factory assembled.

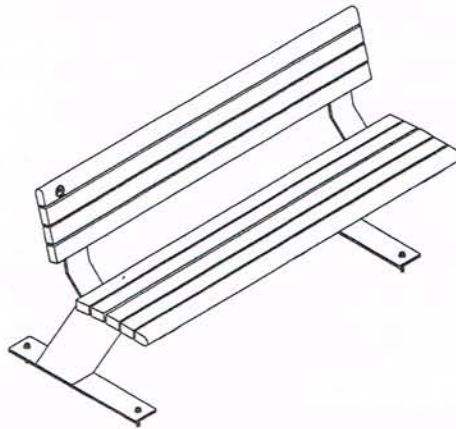
Standard installation details:

- Surface mounted.
- In-ground mounted.

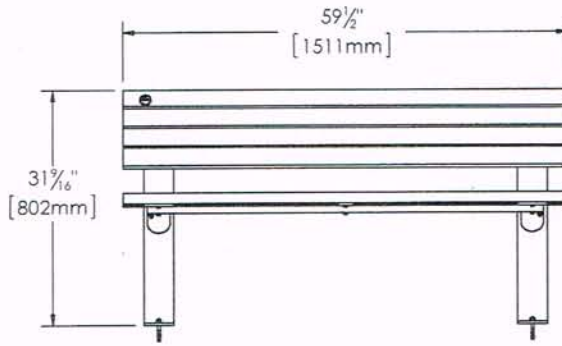
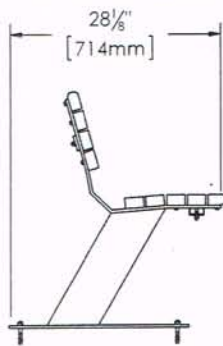
Options:

- Stainless steel anti-theft hardware.
- Stainless steel anti-theft anchor.
- Armrest.

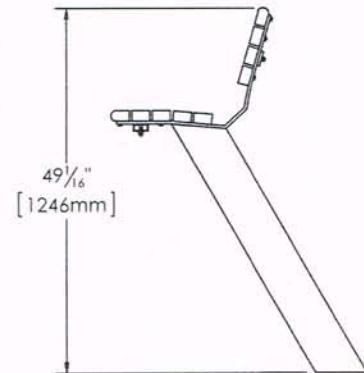
Weight: 185.35 Lb.



Surface mounted



In-ground mounted



Features:

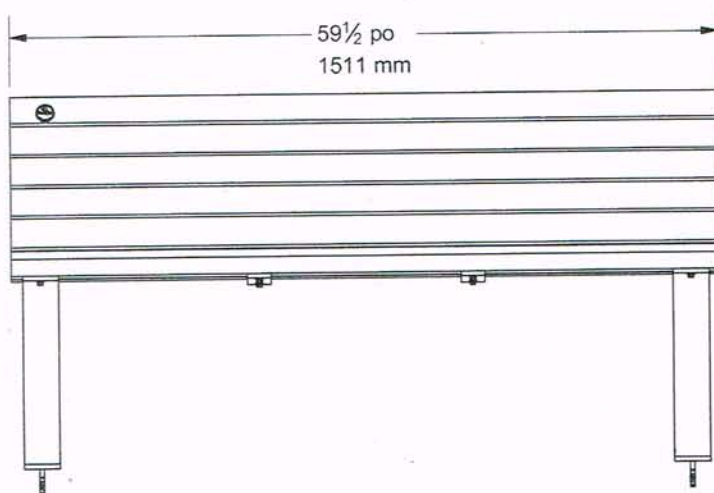
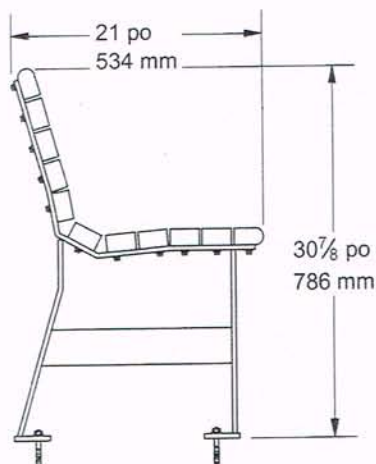
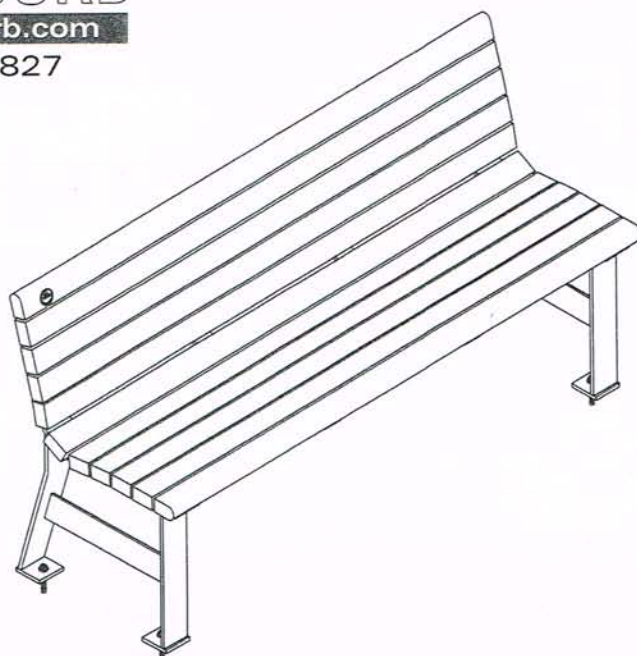
- The bench is made of *ULTRAPLAST™* recycled plastic and its structure is made of steel coated with our "InfiniGuard Professional" anticorrosion system.
- The bench slats measure 2" x 3" (37mm x 62mm) and the Bullnose slats measure 2" x 3" (37mm x 62mm).
- Flat steel base plates, 3/8" x 4" (10mm x 100mm).
- Tubular steel legs, 4" x 6" (100mm x 153mm).
- Tubular steel seat structure, 1" x 2" (25mm x 51mm).
- Flat steel seat support, 3/8" x 2" (10mm x 51mm).
- Chameleon hardware.
- Stainless steel standard anchor for concrete.
- Factory assembled.

Standard installation details:

- Surface mounted.
- In-ground mounted.

Options:

- Stainless steel anti-theft hardware.
- Stainless steel anti-theft anchor.
- Cast aluminium armrest.
- Engraving on slat 2" x 10" (37mm x 238mm).



Features:

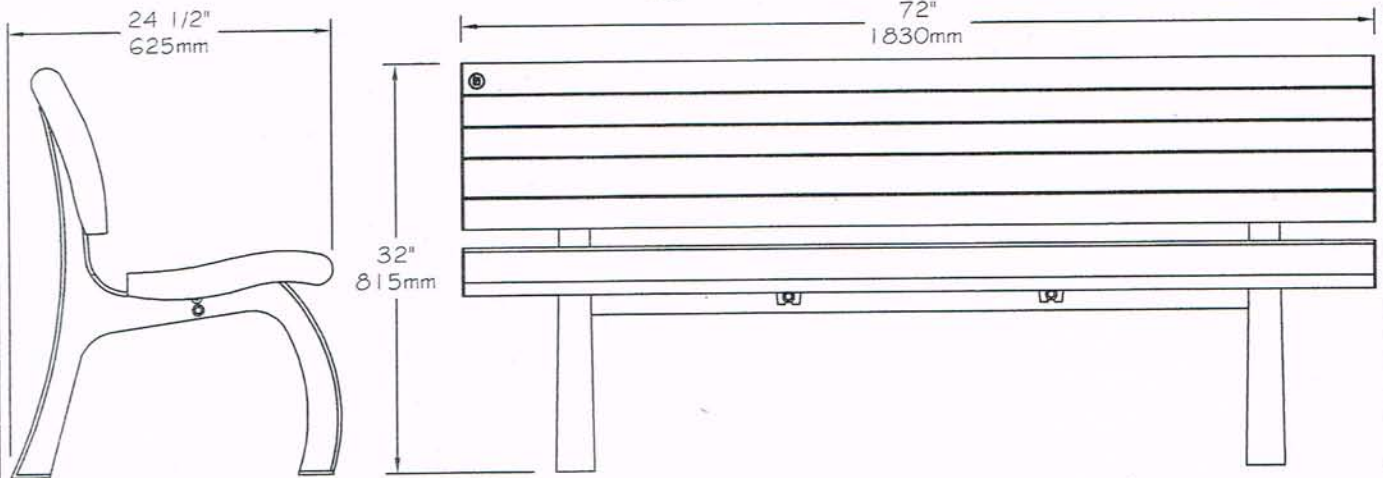
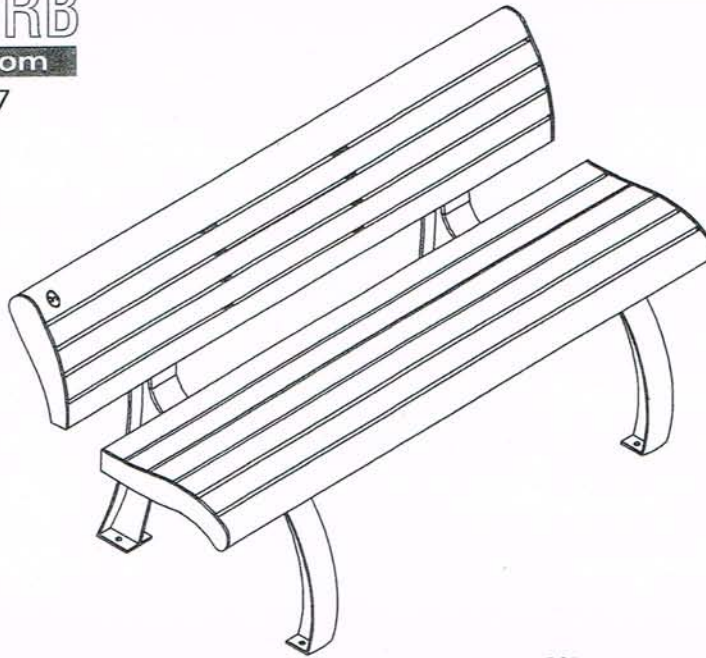
- This bench slat are made of **ULTRAPLAST™** recycled plastic and its structure is made of steel coated with our "InfiniGuard Professional" anti-corrosion system.
- Bench is made of slats 2" x 3" (37mm x 62mm) and the Bullnose slats 2" x 3" (37mm x 62mm).
- Flat steel legs, 3/8" x 3" (10mm x 76mm) with flat steel reinforcement 3/8" x 4" (10mm x 100mm).
- Steel seat reinforcement, 3/8" x 2" (10mm x 51mm).
- Cameleon hardware.
- Stainless steel standard anchor.
- Factory assembled.

Standard installation details:

- Surface mounted.

Options:

- Stainless steel anti-theft anchor.
- In-ground permanent anchor.
- Armrest.
- Stainless steel anti-theft hardware.



Features:

- The bench slats are made of **ULTRAPLAST™** recycled plastic and the structure is made of steel coated with our "InfiniGuard Professional" anti-corrosion system.
- The bench is made of 2" x 3" (37mm x 62mm) slats and 3" x 3" (62mm x 62mm) Bullnose slats.
- Chameleon hardware.
- Stainless steel standard anchor.
- Factory assembled.

Standard installation details:

- Surface mounted.

Options:

- Stainless steel anti-theft anchor.
- In-ground permanent anti-theft anchor.
- Ductile cast iron armrest.
- Stainless steel anti-theft hardware.



ENVIRO CURB

www.envirocurb.com

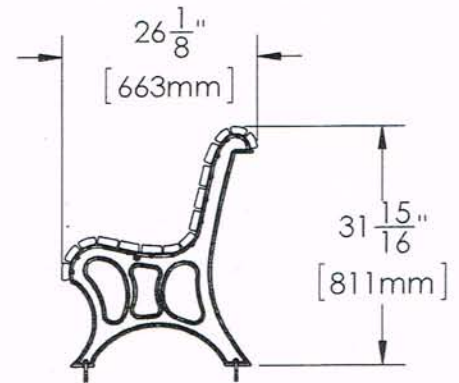
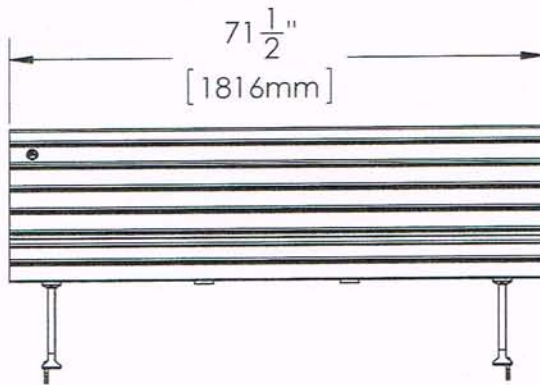
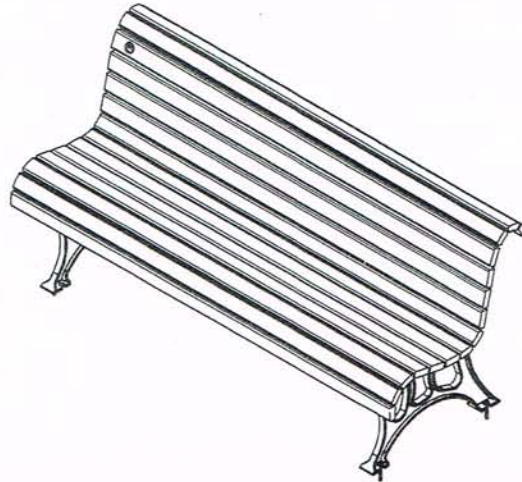
1-800-655-0827

ast
ons
il, (Qc)

NOTRE DAME Series - 72" Bench

#295106-2013

May 5th, 2014



Features:

- The bench slats are made of **ULTRAPLAST™** recycled plastic, the structure is made of cast aluminum coated with our "InfiniGuard Professional" anti-corrosion system.
- The bench is made of 13 deg. and 22 deg., 1 1/16" x 2 3/16" (27mm x 56mm) slats and 1 1/4" x 3 (25mm x 68mm) slats..
- Stainless steel hardware.
- Stainless steel standard anchor.
- Factory assembled.

Standard installation details:

- Surface mounted.

Options:

- Stainless steel anti-theft anchor.
- In-ground permanent anti-theft anchor.
- Stainless steel anti-theft hardware.

Weight: 78 Kg

ENVIR  CURB

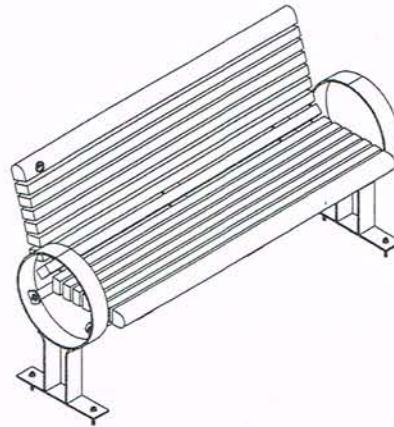
www.envirocurb.com

1-800-655-0827

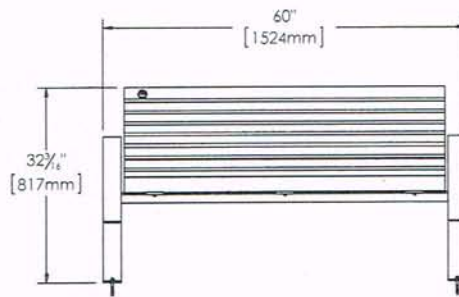
Laviolette Series - 60" Straight Bench

#594101

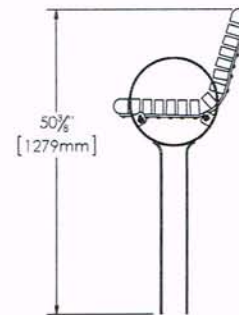
Rév.: May 8, 2014



Surface mounted



In-ground mounted



Features:

- The bench slats are made of ULTRAPLAST recycled plastic and the structure is made of steel coated with our "InfiniGuard Professional" anti-corrosion system.
- The bench is made of 2" x 3" (37mm x 62mm) slats and 3" x 3" (62mm x 62mm) Bullnose slats.
- Flat steel legs 1/4" x 3" (6mm x 76mm).
- Flat steel seat support 3/8" x 4" (10mm x 100mm).
- Chameleon hardware.
- Stainless steel standard anchor.
- Factory assembled.

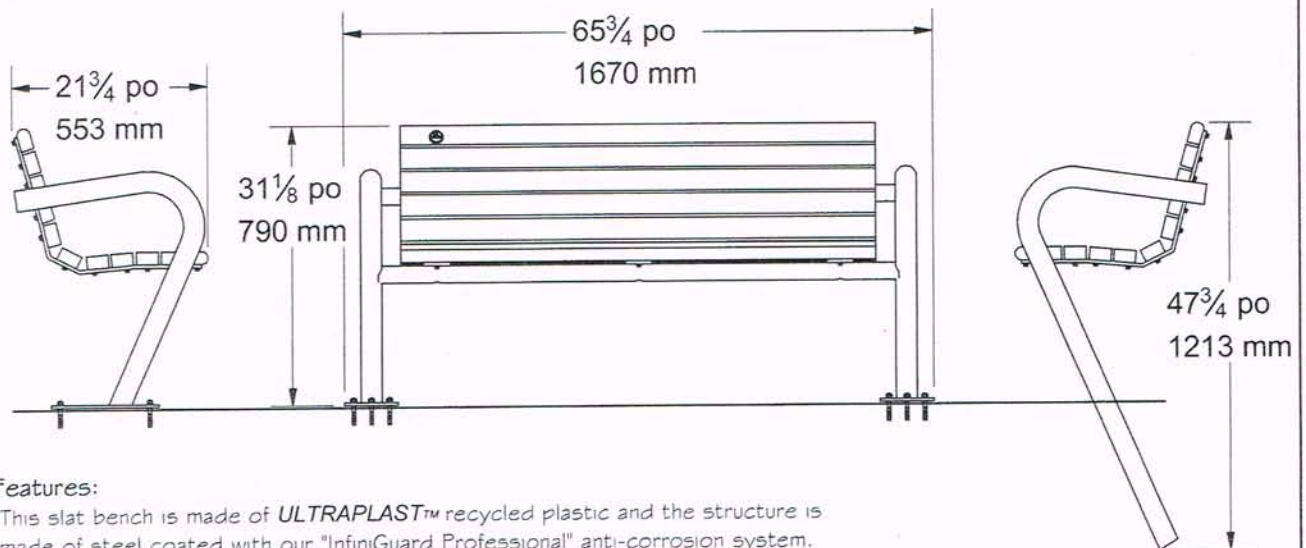
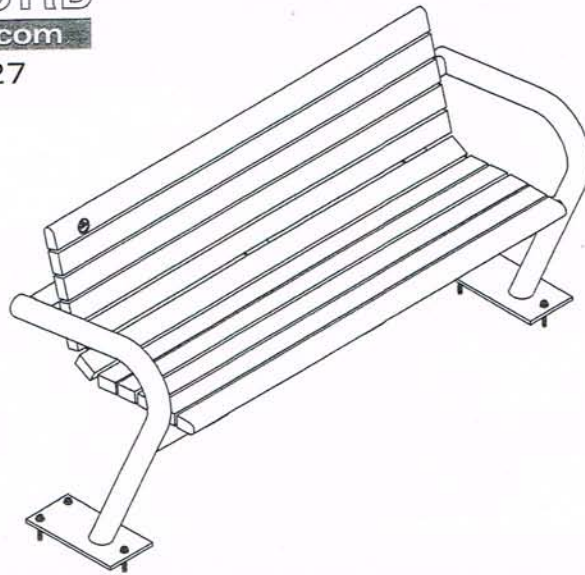
Standard installation details:

- Surface mounted.
- In-ground mounted.

Options:

- Stainless steel anti-theft anchor.
- Stainless steel anti-theft hardware.
- Center Armrest.
- Semi assembled.

Weight: 185 Lb.



Features:

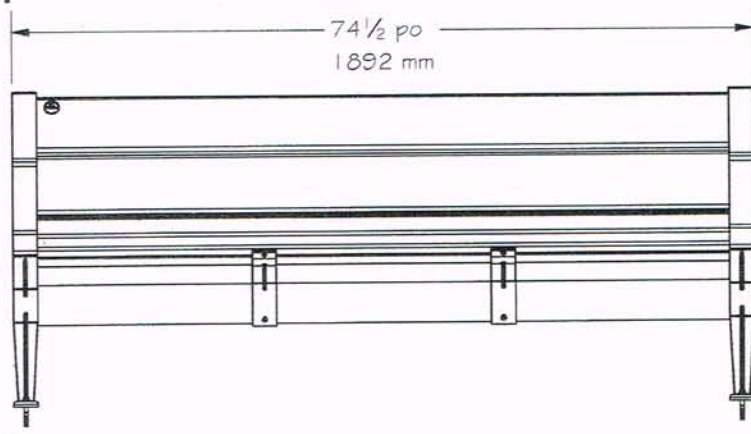
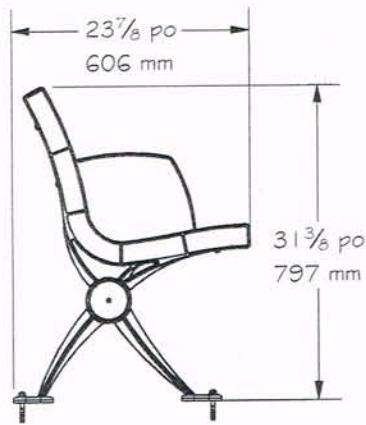
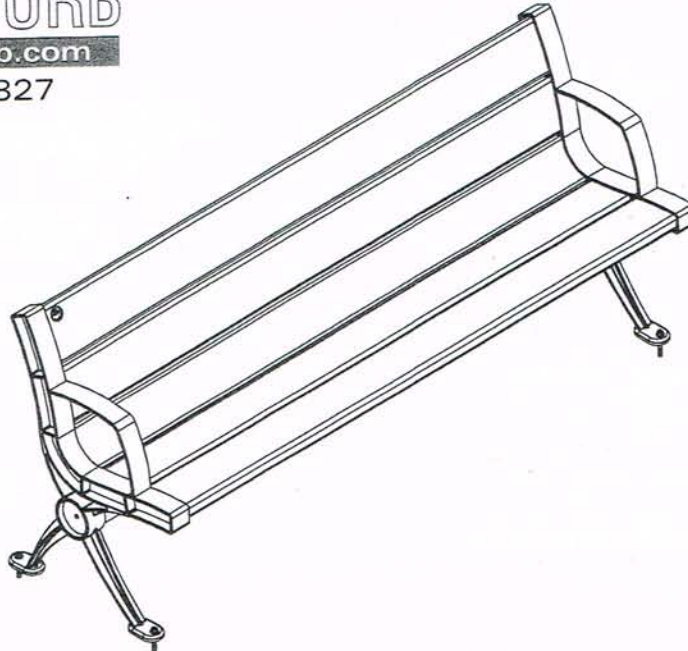
- This slat bench is made of **ULTRAPLAST™** recycled plastic and the structure is made of steel coated with our "InfiniGuard Professional" anti-corrosion system.
- The bench slats measure 2" x 3" (37mm x 62mm) with 2" x 3" (37mm x 62mm) Bullnose slats.
- The seat structure is built from 2" diam. steel tubes (51 mm diam.).
- Flat steel seat support: 3/8" x 3" (10mm x 76mm).
- Chameleon hardware.
- Stainless steel standard anchor.
- Factory assembled.

Standard installation details:

- Surface mounted.
- In-ground mounted.

Options:

- Stainless steel anti-theft hardware.
- Stainless steel anti-theft anchor.



Features:

- The bench slats are made of **ULTRAPLAST™** recycled plastic, structure is made of cast aluminum and steel coated with our "InfiGuard Professional" system.
- The bench is made of 2" x 6" (41 mm x 153mm).
- The tubular support is made of steel, 4" diameter (102mm diameter).
- Stainless steel hardware.
- Stainless steel standard anchor.
- Shipped ready to be assembled.

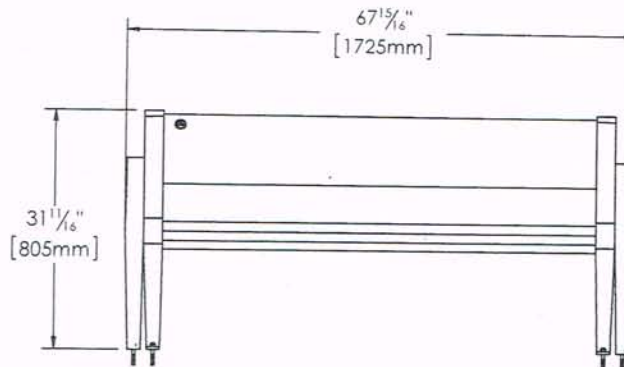
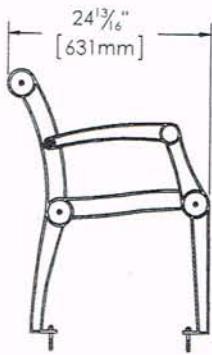
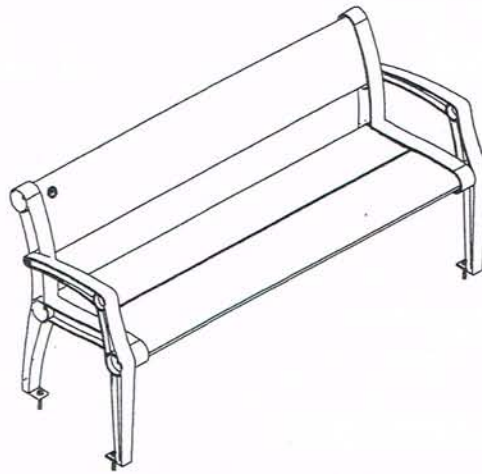
Standard installation details:

- Surface mounted.

Options:

- Stainless steel anti-theft anchor.
- Stainless steel anti-theft hardware.
- Factory assembled.

c)



Features:

- The bench slats are completely made of **ULTRAPLAST™** recycled plastic, the structure is made of cast aluminum coated with our "InfiniGuard Professional" anti-corrosion system.
- The slat dimensions are 2" x 10" (32mm x 250mm).
- Stainless steel hardware.
- Stainless steel standard anchor.
- Shipped ready to be assembled.

Standard installation details:

- Surface mounted.

Options:

- Engraved backrest.
- Stainless steel anti-theft anchor.
- Stainless steel anti-theft hardware.
- Factory assembled.

ENVIR  CURB

www.envirocurb.com

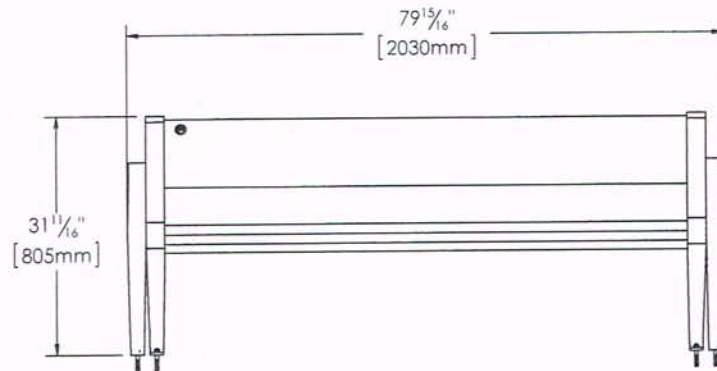
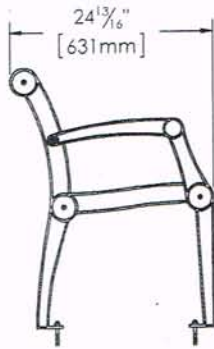
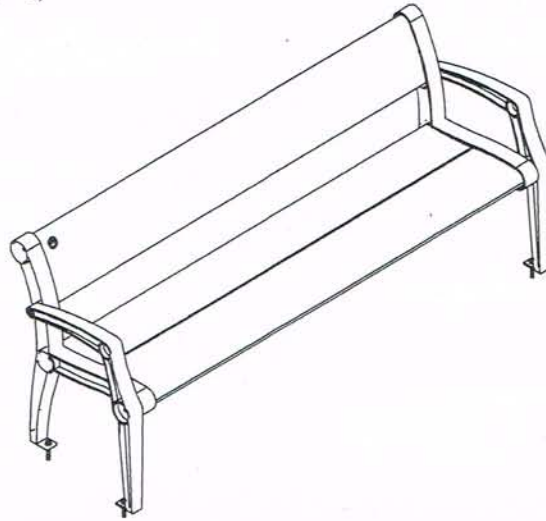
1-800-655-0827

c)

Kingsey Series - 72" Bench

#K1

May 12th, 2014



Features:

- The bench slats are completely made of **ULTRAPLAST™** recycled plastic, the structure is made of cast aluminum coated with our "InfiniGuard Professional" anti-corrosion system.
- The slat dimensions are 2" x 10" (32mm x 250mm).
- Stainless steel hardware.
- Stainless steel standard anchor.
- Shipped ready to be assembled.

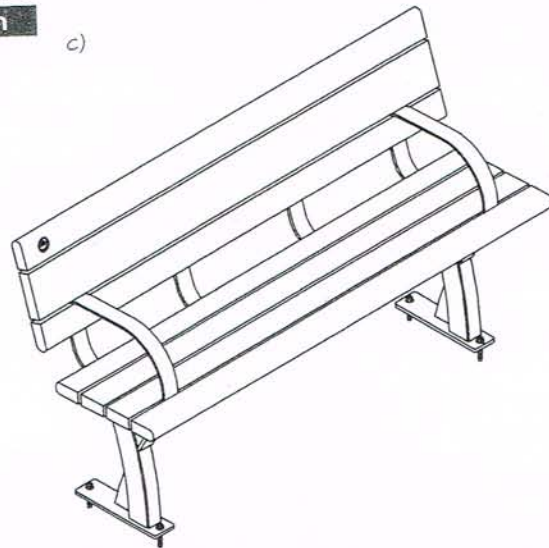
Standard installation details:

- Surface mounted.

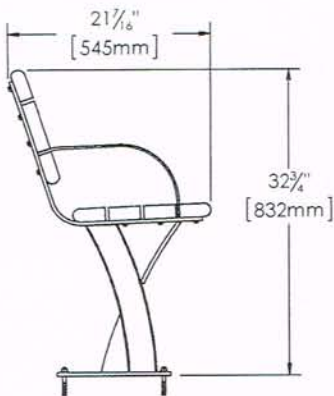
Options:

- Engraved backrest.
- Stainless steel anti-theft anchor.
- Stainless steel anti-theft hardware.
- Factory assembled.

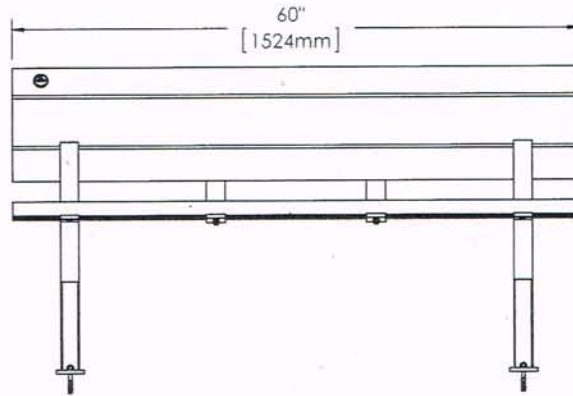
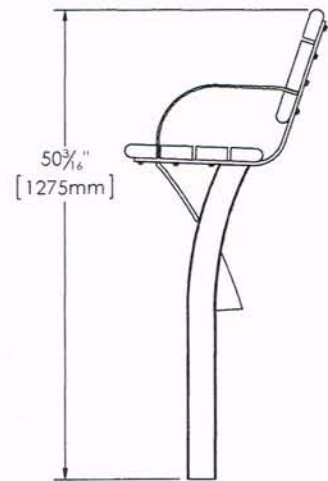
Weight: 174.10 Lb.



Surface mounted



In-ground mounted



Features:

- The bench slats are made of ULTRAPLAST™ recycled plastic and the structure is made of steel coated with our InfiniGuard Professional anticorrosion system.
- The backrest slats are in 2" x 6" (37mm x 137mm) with bullnose 2" x 4" (37mm x 86mm).
- The seat slats are in 2" x 4" (37mm x 86mm) with bullnose 2" x 4" (37mm x 86mm).
- Steel legs, 1/8" thickness (3.2mm) and 3/8" (9.5mm).
- Steel seat support, 3/16" x 2" (4.8mm x 51mm) with reinforcement is made of steel flat bars, 2" x 3/8" thickness (51mm x 9.5mm).
- Stainless steel standard anchor.
- Cameleon hardware.
- Factory assembled.

Standard installation details:

- Surface mounted.
- In-ground mounted.

Options:

- Center armrest.
- Stainless steel antitheft anchor.
- Stainless steel antitheft hardware.

ENVIR  CURB

www.envirocurb.com

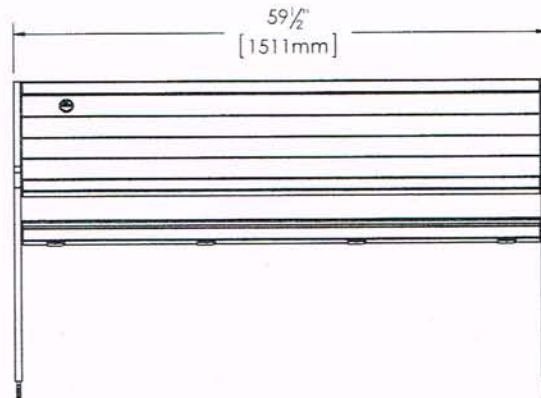
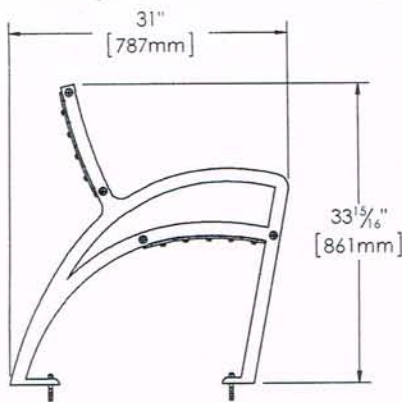
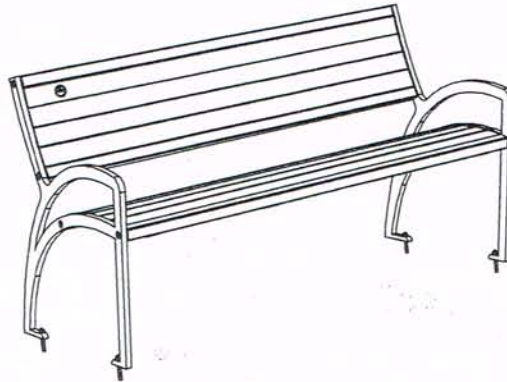
1-800-655-0827

c)

Modena Series - 60" Bench

#MOD-5

Rév.: August 8th, 2014



Features:

- The bench slats are made of **ULTRAPLAST™** recycled plastic, the structure is made of steel coated with our "InfiniGuard Professional" anti-corrosion system.
- The bench is made of 2" x3" (37mm x 62mm) slats.
- Cameleon hardware.
- Stainless steel standard anchor.
- Factory assembled.

Standard installation details:

- Surface mounted.

Options:

- Stainless steel anti-theft anchor.
- In-ground permanent anti-theft anchor.
- Stainless steel anti-theft hardware.

Weight;197.62 Lb.