

ENVIR CURB

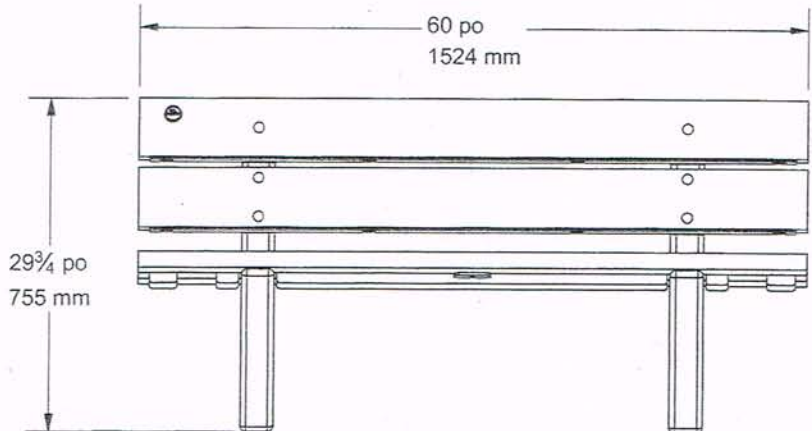
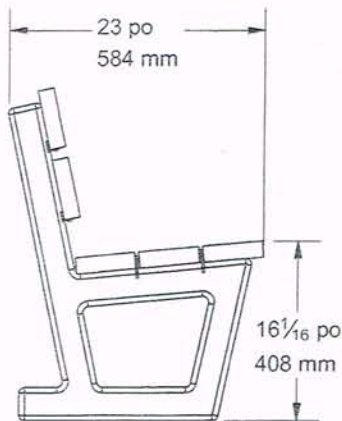
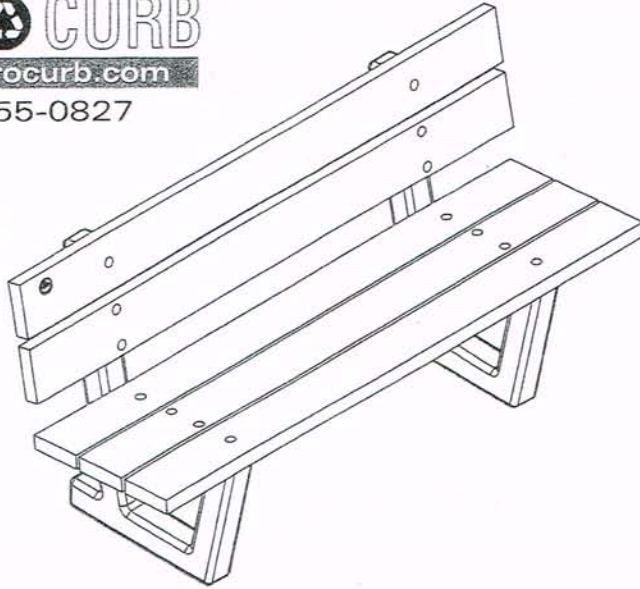
www.envirocurb.com

1-800-655-0827

Park Series - 60" Standard Bench

#16

Rev. May 5th, 2011



Features:

- The bench slats and legs are made of ULTRAPLAST™ recycled plastic.
- Reinforcement are made of flat steel, 2" x 3/16" (51 mm x 5mm) and flat steel bar, 3" x 1/4" (76mm x 6.5mm) coated with our black InfiniGuard Professional anti-corrosion System.
- The backrest and seat slats are made of 2" x 6" (37mm x 137mm)
- The legs are made of black ULTRAPLAST™ recycled plastic. Screws are inserted in the plastic during molding to fix the backrest and seat slats.
- Hidden hardware.
- Shipped ready to be assembled.

Standard installation details:

- Surface mounted.

Options:

- Stainless steel standard anchor.
- Stainless steel antitheft anchor.
- Factory assembled.
- Armrest.

Weight: 143 lb

ENVIR  CURB

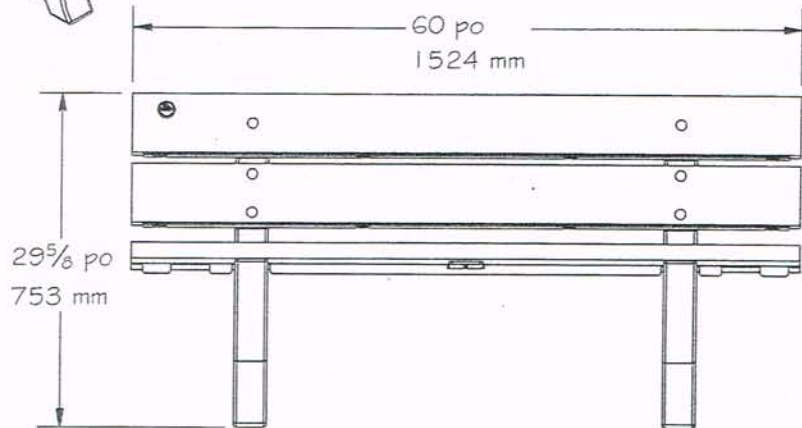
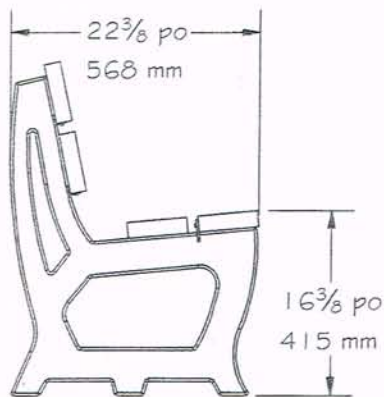
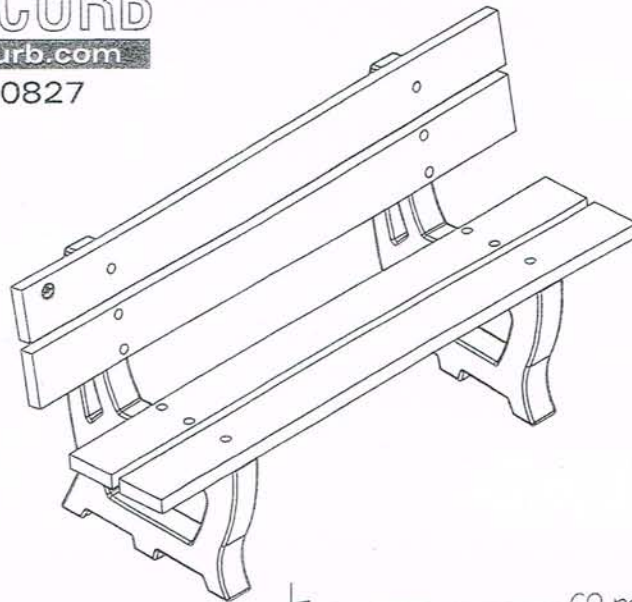
www.envirocurb.com

1-800-655-0827

Park Series - 60" Deco Bench

#17

Rev. May 5th, 2011



Features:

- The bench slats and legs are made of ULTRAPLAST™ recycled plastic.
- Reinforcement are made of flat steel, 2" x 3/16" (51 mm x 5mm) and flat steel bar, 3" x 1/4" (76mm x 6.5mm) coated with our black InfiniGuard Professional anti-corrosion System.
- The backrest and seat slats are made of 2" x 6" (37mm x 1.37mm)
- The legs are made of black ULTRAPLAST™ recycled plastic. Screws are inserted in the plastic during molding to fix the backrest and seat slats.
- Hidden hardware.
- Shipped ready to be assembled.

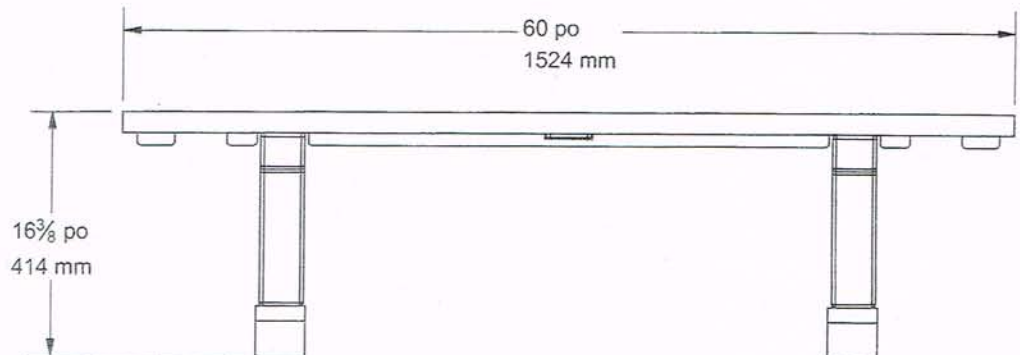
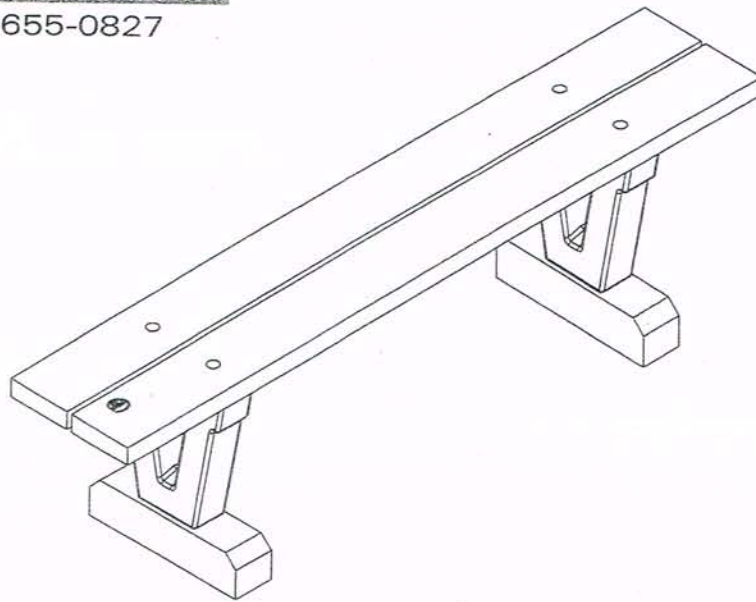
Standard installation details:

- Surface mounted.

Options:

- Stainless steel standard anchor.
- Stainless steel antitheft anchor.
- Factory assembled.
- Armrest.

Weight: 129 lb



Features:

- The bench slats and legs are made of ULTRAPLAST™ recycled plastic.
- Reinforcement are made of flat steel, 2" x 3/16" (51 mm x 5mm) and flat steel bar, 3" x 1/4" (76mm x 6.5mm) coated with our black InfiniGuard Professional anti-corrosion System.
- The backrest and seat slats are made of 2" x 6" (37mm x 137mm)
- The legs are made of black ULTRAPLAST™ recycled plastic. Screws are inserted in the plastic during molding to fix the backrest and seat slats.
- Hidden hardware.
- Shipped ready to be assembled.

Standard installation details:

- Surface mounted.

Options:

- Stainless steel standard anchor.
- Stainless steel antitheft anchor.
- Factory assembled.
- Armrest.

Weight: 66 lb

ENVIR  CURB

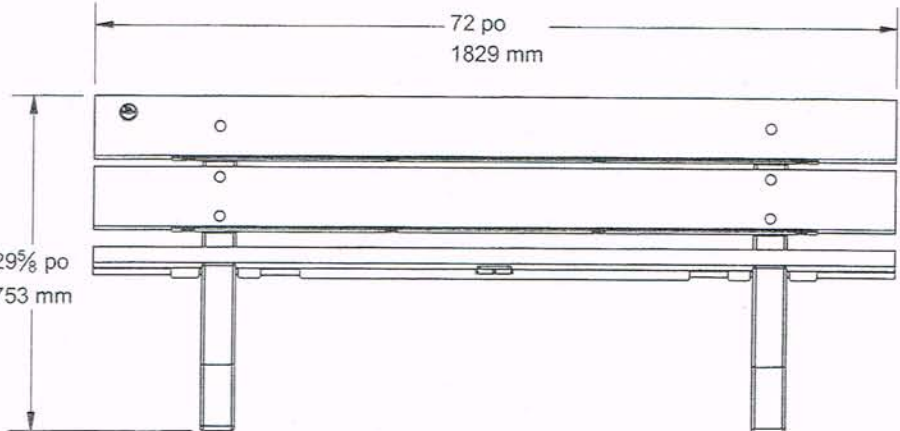
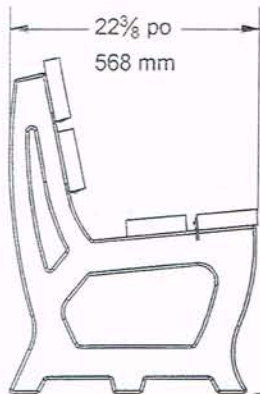
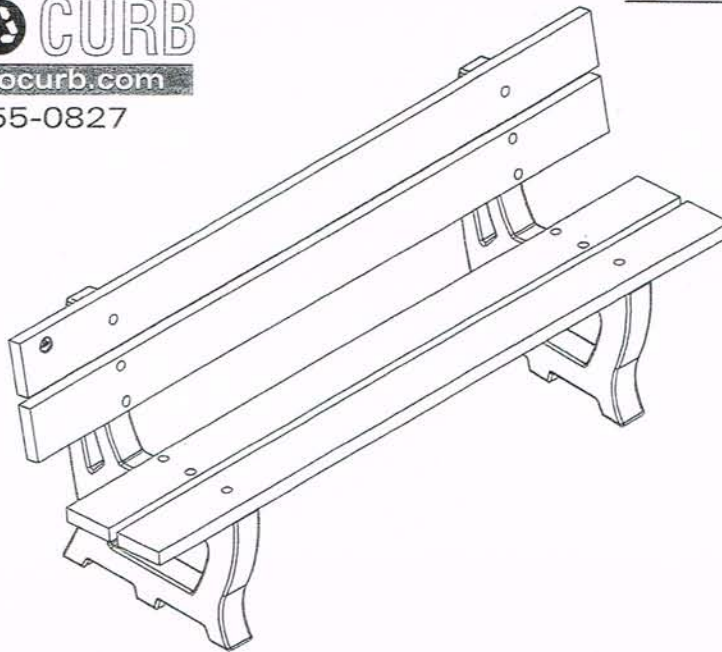
www.envirocurb.com

1-800-655-0827

Park Series - 72" Deco Bench

#19

Rev. May 5th, 2011



Features:

- The bench slats and legs are made of ULTRAPLAST™ recycled plastic.
- Reinforcement are made of flat steel, 2" x 3/16" (51 mm x 5mm) and flat steel bar, 3" x 1/4" (76mm x 6.5mm) coated with our black InfiniGuard Professional anti-corrosion System.
- The backrest and seat slats are made of 2" x 6" (37mm x 137mm)
- The legs are made of black ULTRAPLAST™ recycled plastic. Screws are inserted in the plastic during molding to fix the backrest and seat slats.
- Hidden hardware.
- Shipped ready to be assembled.

Standard installation details:

- Surface mounted.

Options:

- Stainless steel standard anchor.
- Stainless steel antitheft anchor.
- Factory assembled.
- Armrest.

Weight: 142 lb

ENVIR  CURB

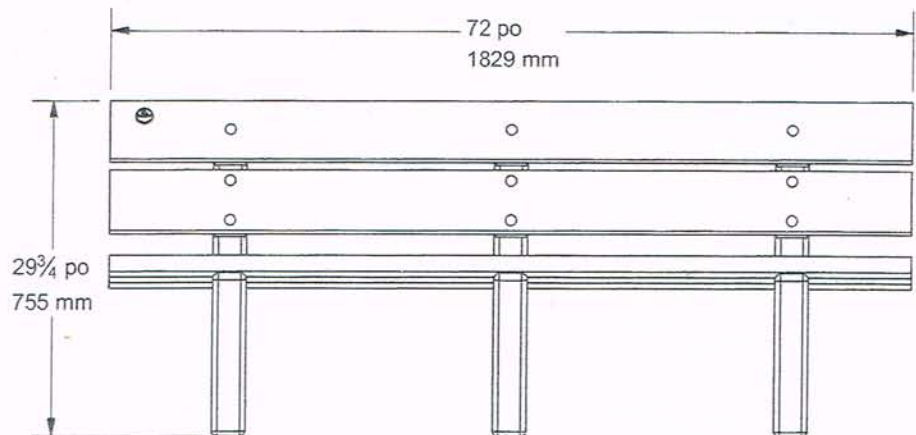
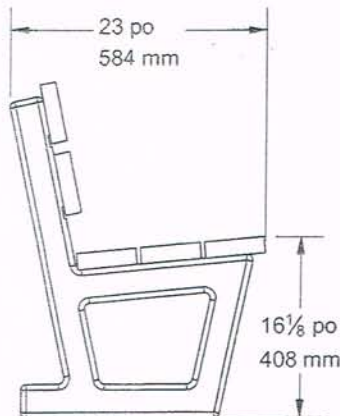
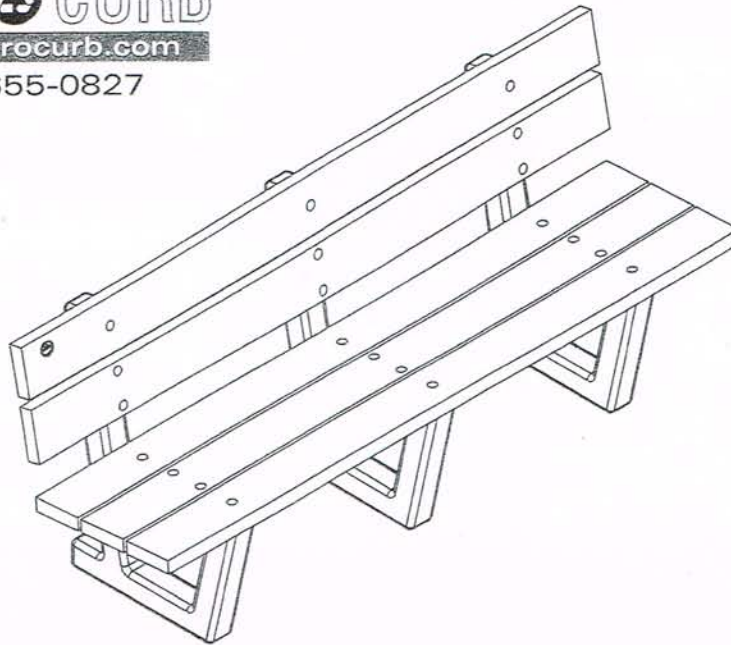
www.envirocurb.com

1-800-655-0827

Park Series - 72" Standard Bench, Three Supports

#21

Rev. May 5th, 2011



Features:

- The seat and backrest slats 2" x 6" (37mm x 137mm) are made of ULTRAPLAST™ recycled plastic.
- The legs are made of black ULTRAPLAST™ recycled plastic. Screws are inserted in the plastic during molding to fix the backrest and seat slats.
- Hidden hardware.
- Shipped ready to be assembled.

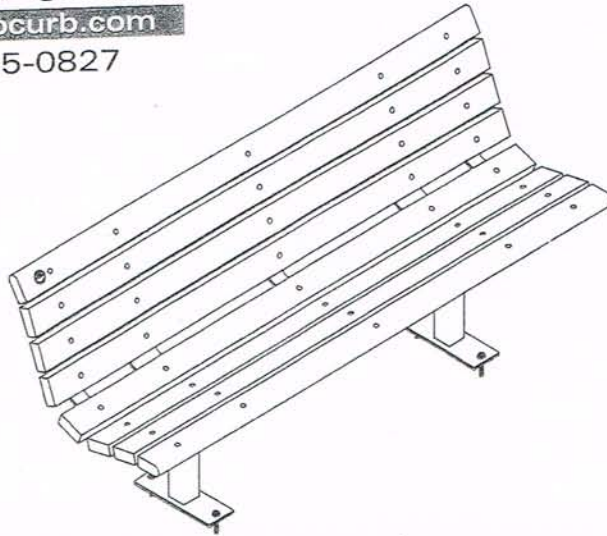
Standard installation details:

- Surface mounted.

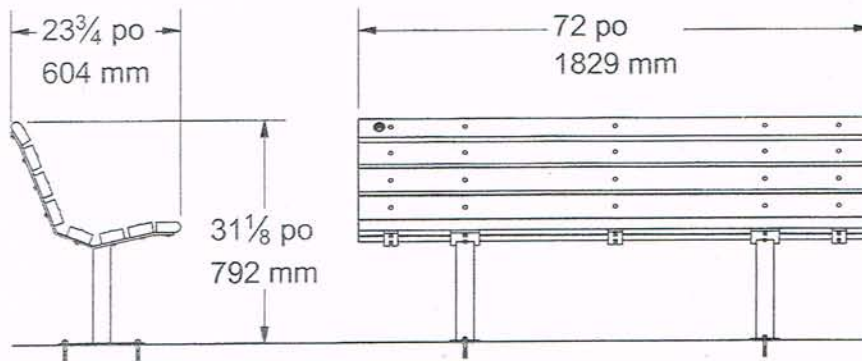
Options:

- Stainless steel standard anchor.
- Stainless steel antitheft anchor.
- Factory assembled.
- Armrest.

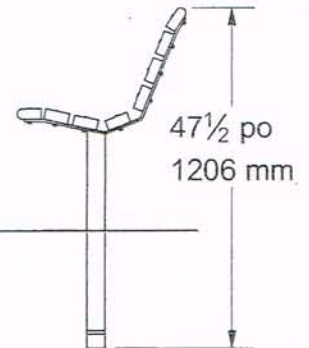
Weight: 162 lb



Surface mounted



In-ground mounted



Features:

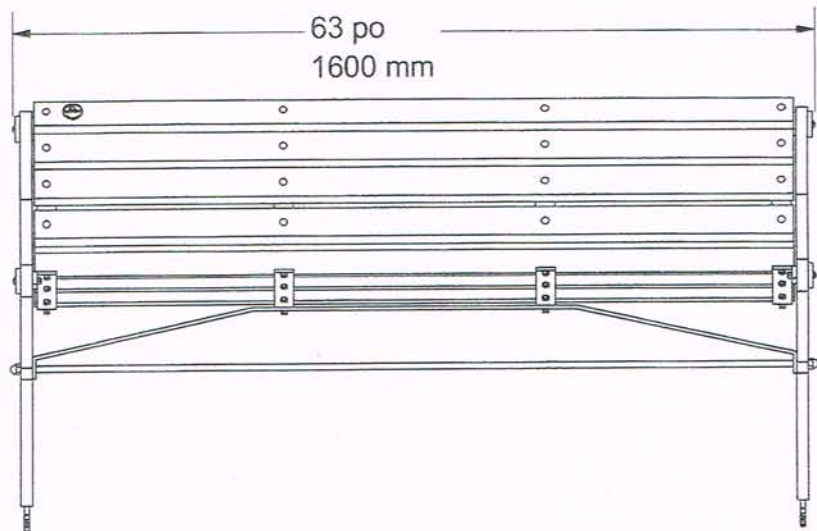
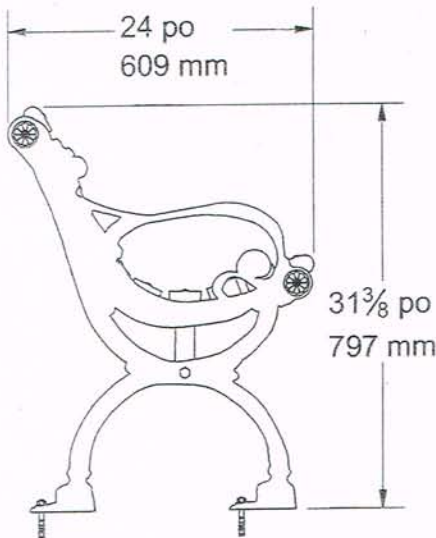
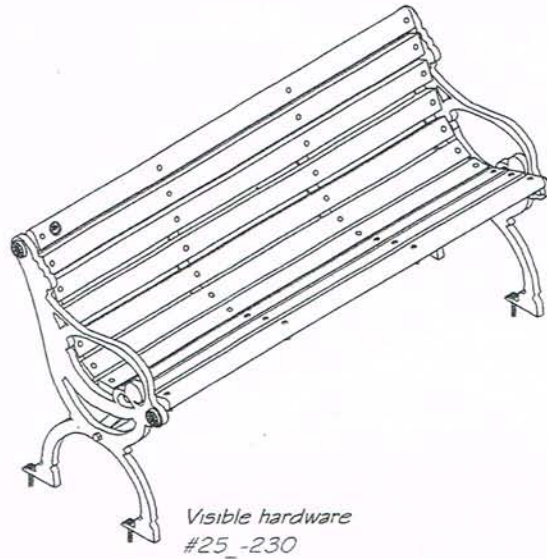
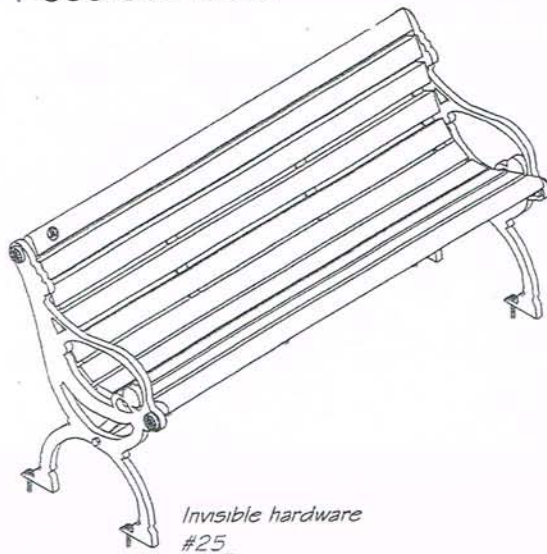
- The bench slat are made of ULTRAPLAST™ recycled plastic and its structure is made of steel.
- The bench is made of 2" x 4" (37mm x 86mm) slats and 2" x 4" (37mm x 86mm) Bullnose slats.
- The structure is coated with our InfiGuard Professional anti-corrosion system coated with our "InfiGuard Professional" anti-corrosion system.
- Tubular steel legs, 2 1/2" x 2 1/2" (67mm x 67mm).
- Flat steel seat reinforcement, 5/16" x 2" (8mm x 51 mm).
- Stainless steel hardware.
- Hardware visible or invisible.
- Stainless steel standard anchor.
- Shipped ready to be assembled.

Standard installation details:

- Surface mounted.
- In-ground mounted.

Options:

- Stainless steel anti-theft hardware.
- Stainless steel anti-theft anchor.
- Armrest.
- Factory assembled.



Features:

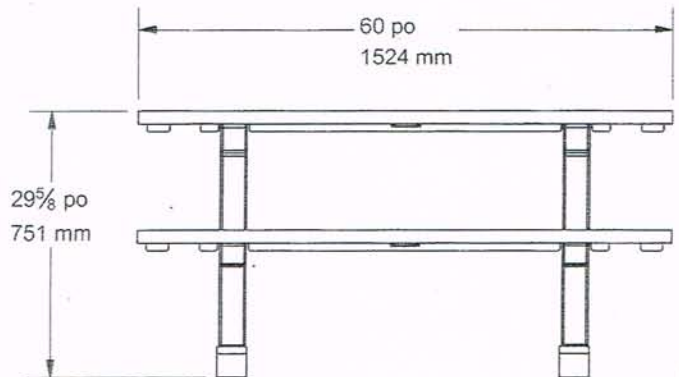
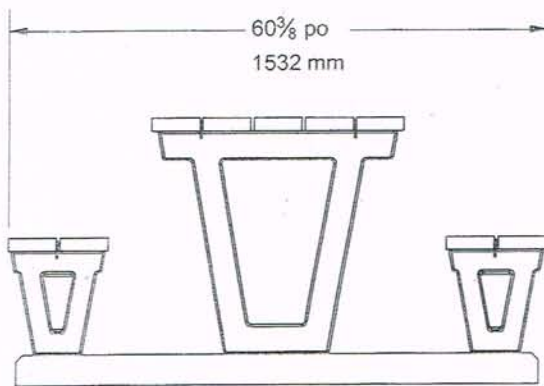
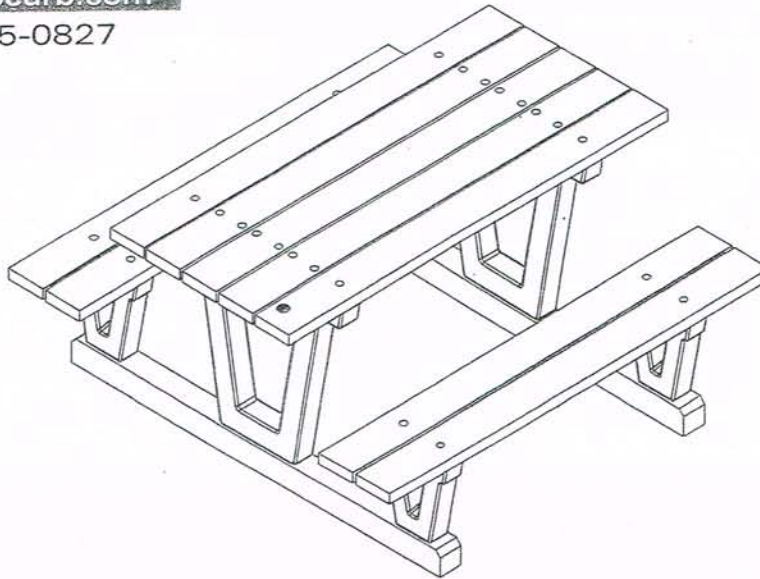
- This slat bench is made of *ULTRAPLAST™* recycled plastic, the legs are made of cast aluminum and the structure is made of steel.
- The structure and legs are coated with our "InfiniGuard Professional" anti-corrosion system.
- The bench is built with 2 x 3" (37 x 62mm) slats and 2 x 3" (37 x 62mm) "bullnose" slats.
- The structural ties is made of 1/4 x 1 1/2" (6.3 x 38mm) flat steel and of 1/2" (13mm) steel rod.
- Flat steel seat reinforcement, 1/4" x 2" (6.3mm x 51 mm).
- Stainless steel hardware.
- Visible hardware or invisible hardware.
- Stainless steel standard anchor for concrete.
- Shipped ready to be assembled.

Standard installation details:

- Surface mounted.

Options:

- Stainless steel anti-theft anchor.
- Factory-assembled.



Features:

- The seat and table slats, 2" x 6" (37mm x 137mm) are made of ULTRAPLAST™ recycled plastic
- The slats are reinforced with flat steel bars, 2" x 3/16" (51 mm x 5mm) and flat steel bar, 3" x 1/4" (76mm x 6.5mm). Coated with our Black InfiniGuard Professional anti-corrosion system.
- The legs are made of black ULTRAPLAST™ recycled plastic. Screws are inserted in the plastic during molding to fix the table and seat slats.
- Hidden hardware.
- Shipped ready to be assembled.

Standard installation details:

- Surface mounted.

Options:

- Stainless steel standard anchor.
- Stainless steel antitheft anchor.
- Factory assembled.

ENVIR CURB

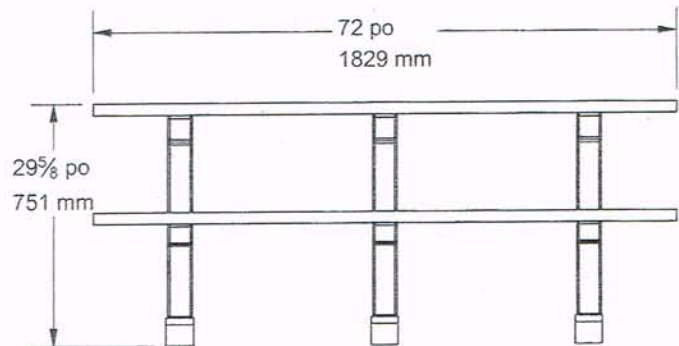
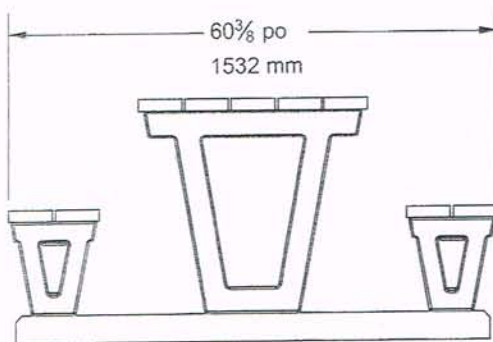
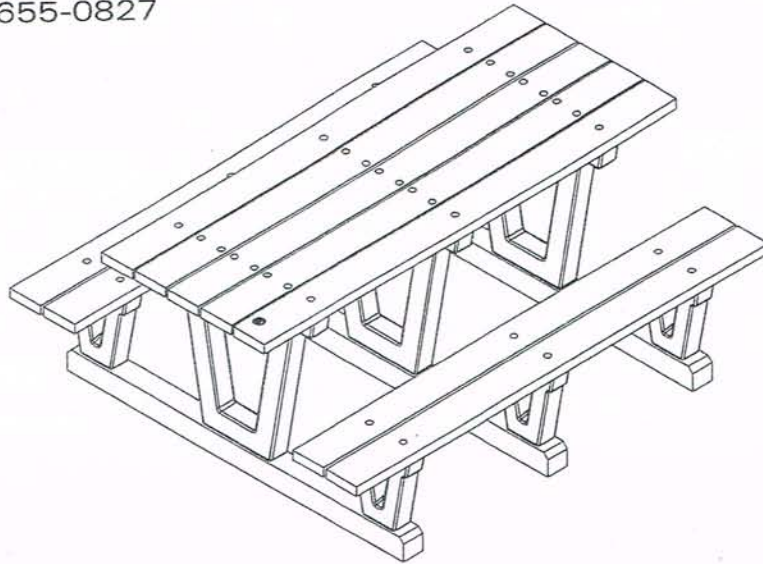
www.envirocurb.com

1-800-655-0827

Park Series - Picnic Table, 72" Three Supports

#40

Rev.; May 10th, 2011



Features:

- The seat and table slats, 2" x 6" (37mm x 137mm) are made of ULTRAPLAST™ recycled plastic
- The legs are made of black ULTRAPLAST™ recycled plastic. Screws are inserted in the plastic during molding to fix the table and seat slats.
- Hidden hardware.
- Shipped ready to be assembled.

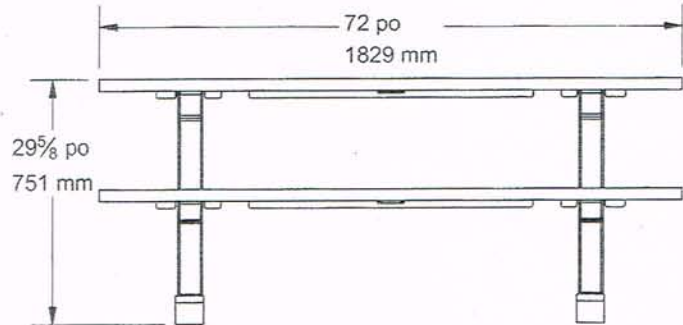
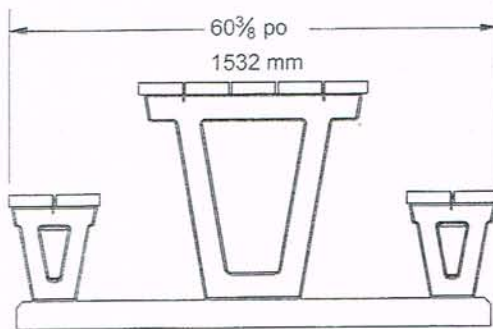
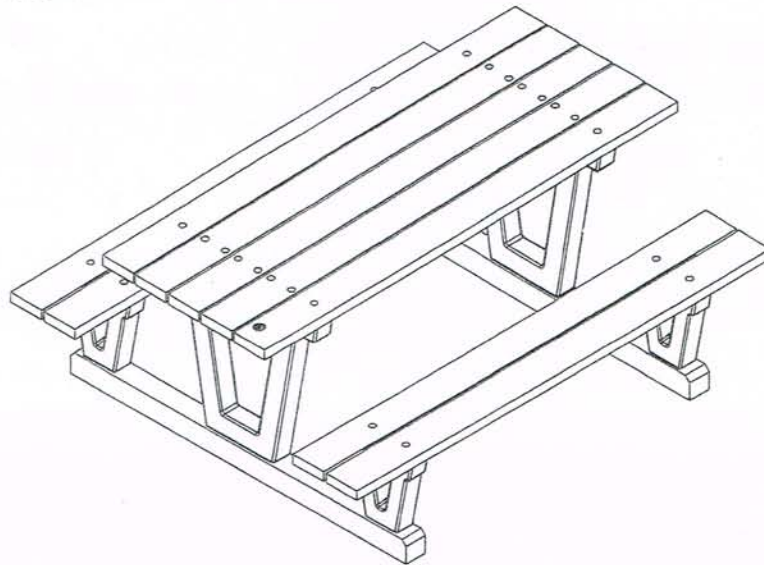
Standard installation details:

- Surface mounted.

Options:

- Stainless steel standard anchor.
- Stainless steel antitheft anchor.
- Factory assembled.

Weight: 367 lb



Features:

- The seat and table slats, 2" x 6" (37mm x 137mm) are made of ULTRAPLAST™ recycled plastic
- The slats are reinforced with flat steel bars, 2" x 3/16" (51 mm x 5mm) and flat steel bar, 3" x 1/4" (76mm x 6.5mm). Coated with our Black InfiniGuard Professional anti-corrosion system.
- The legs are made of black ULTRAPLAST™ recycled plastic. Screws are inserted in the plastic during molding to fix the table and seat slats.
- Hidden hardware.
- Shipped ready to be assembled.

Standard installation details:

- Surface mounted.

Options:

- Stainless steel standard anchor.
- Stainless steel antitheft anchor.
- Factory assembled.

ENVIR CURB

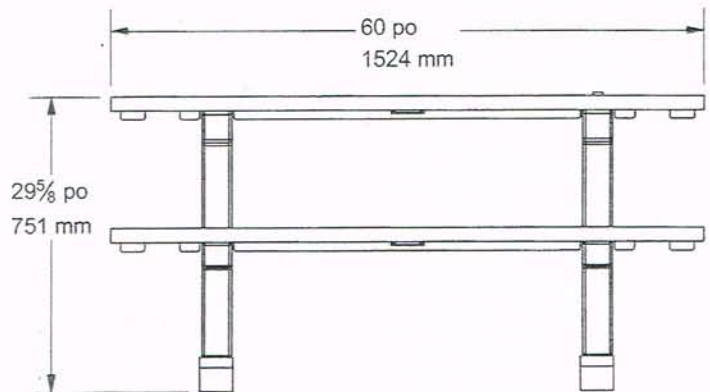
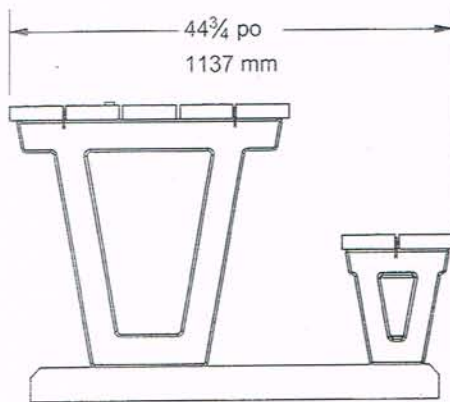
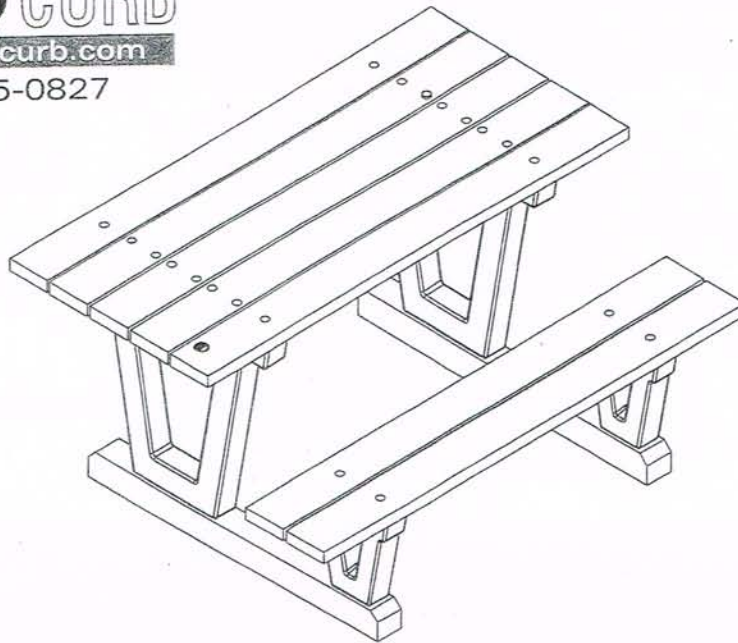
www.envirocurb.com

1-800-655-0827

Park Series - 60" Wheelchair Accessible Picnic Table

#45

Rev.; May 5th, 2011



Features:

- The seat and table slats, 2" x 6" (37mm x 137mm) are made of ULTRAPLAST™ recycled plastic
- The slats are reinforced with flat steel bars, 2" x 3/16" (51 mm x 5mm) and flat steel bar, 3" x 1/4" (76mm x 6.5mm). Coated with our Black InfinityGuard Professional anti-corrosion system.
- The legs are made of black ULTRAPLAST™ recycled plastic. Screws are inserted in the plastic during molding to fix the table and seat slats.
- Hidden hardware.
- Wheelchair accessible.
- Shipped ready to be assembled.

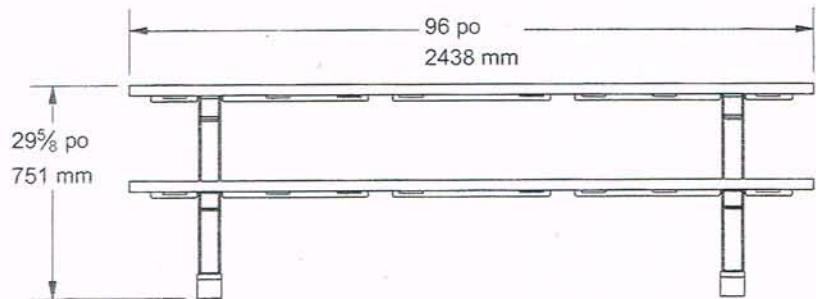
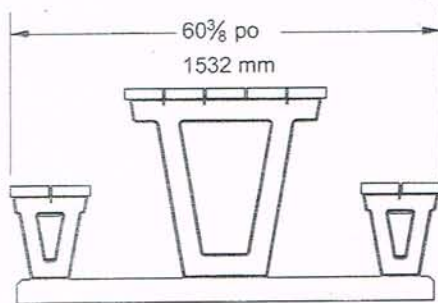
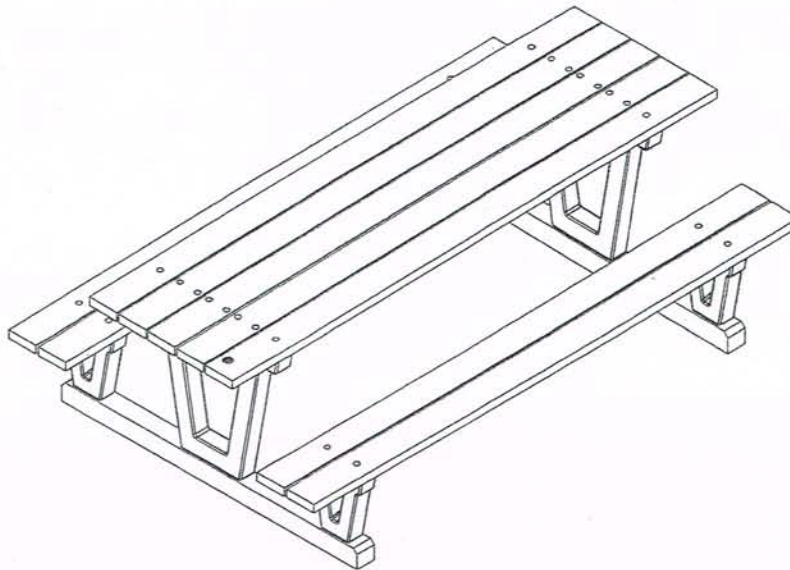
Standard installation details:

- Surface mounted.

Options:

- Stainless steel standard anchor.
- Stainless steel antitheft anchor.
- Factory assembled.

Weight: 236 lb



Features:

- The seat and table slats, 2" x 6" (37mm x 137mm) are made of ULTRAPLAST™ recycled plastic
- The slats are reinforced with flat steel bars, 2" x 3/16" (51 mm x 5mm) and flat steel bar, 3" x 1/4" (76mm x 6.5mm). Coated with our Black InfiniGuard Professional anti-corrosion system.
- The legs are made of black ULTRAPLAST™ recycled plastic. Screws are inserted in the plastic during molding to fix the table and seat slats.
- Hidden hardware.
- Shipped ready to be assembled.

Standard installation details:

- Surface mounted.

Options:

- Stainless steel standard anchor.
- Stainless steel antitheft anchor.
- Factory assembled.

ENVIR CURB

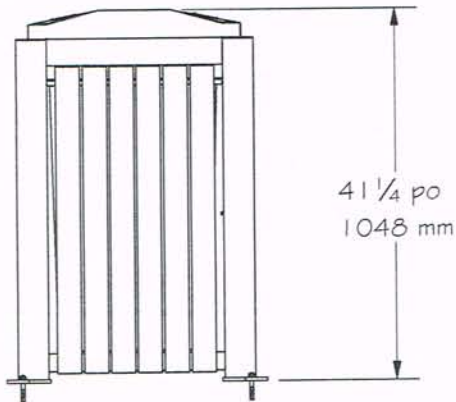
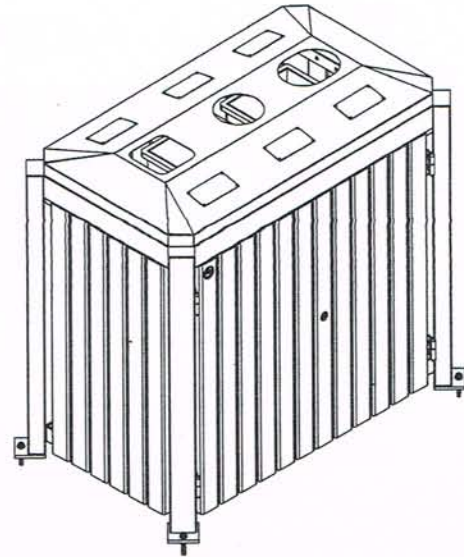
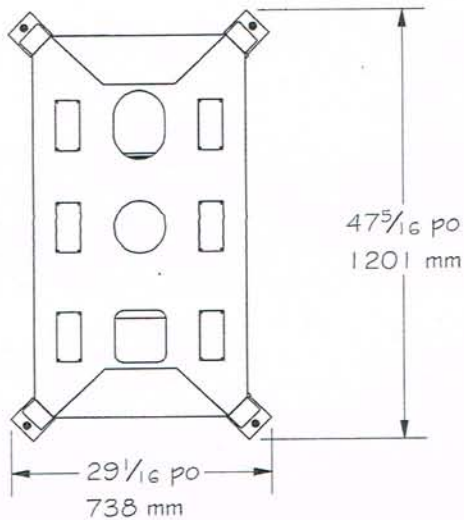
www.envirocurb.com

1-800-655-0827

Kinsgey Series - Recycling Station

#65_

Rev.: May 17nd, 2012



Features:

- The station is made of **ULTRAPLAST™** recycled plastic and the structure is made of steel coated with our "InfiniGuard Professional" anticorrosion system.
- The slats measure 1-1/4" x 3" (25mm x 68mm).
- Stainless steel industrial hardware.
- Three inside polyethylene liners, capacity: 23 gallons US (87 litres) each.
- Three identification plates: paper recycling, trash and cans/bottles.
- Liners are emptied through front opening.
- Front opening door with an anti-theft lock (key included).
- Chameleon hardware.
- Stainless steel standard anchor for concrete.
- Factory assembled.

Standard installation details:

- Surface mounted.

Options:

- Stainless steel anti-theft anchor.
- Side ashtray.
- Stainless steel anti-theft hardware.

Weight: 269 lb

ENVIR CURB

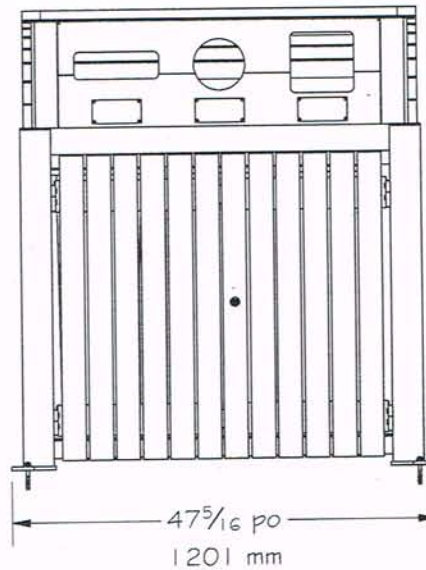
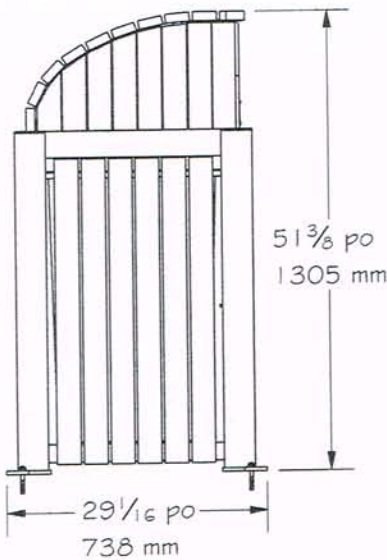
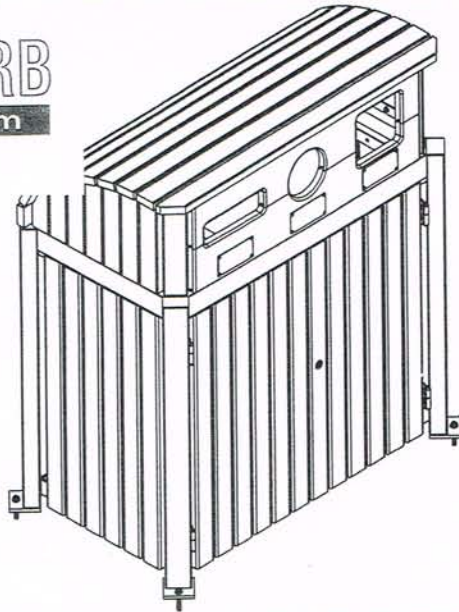
www.envirocurb.com

1-800-655-0827

Park Series - Recycling Station

#65_A

Rev.: May 17th, 2012



Features:

- The station is made of **ULTRAPLAST™** recycled plastic and its structure is made of steel coated with our "InfiniGuard Professional" anticorrosion system.
- The slats measure 1" x 2 11/16" (25mm x 68mm).
- Stainless steel industrial hardware.
- Three inside polyethylene liners, capacity: 23 gallons US (87 litres) each.
- Three identification plates: paper recycling, trash and cans/bottles.
- Liners are emptied through front opening.
- Front opening door with an anti-theft lock (key included).
- Chameleon hardware.
- Stainless steel standard anchor for concrete.
- Factory assembled.

Standard installation details:

- Surface mounted.

Options:

- Stainless steel anti-theft anchor.
- Side ashtray.
- Stainless steel anti-theft hardware.

Weight: 343 lb

ENVIR  CURB

www.envirocurb.com

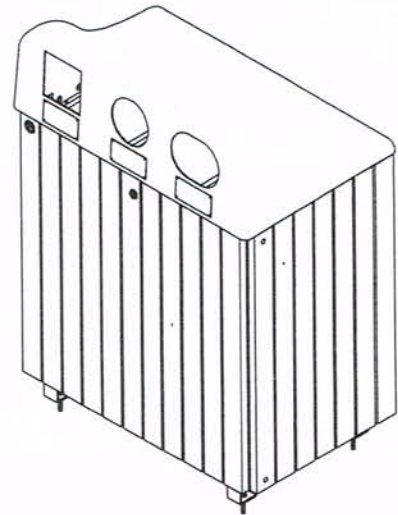
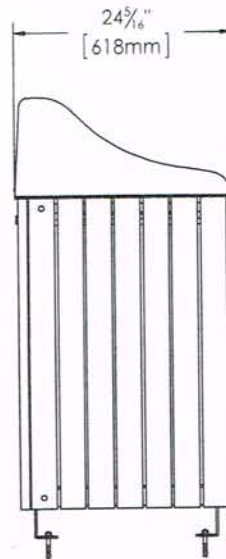
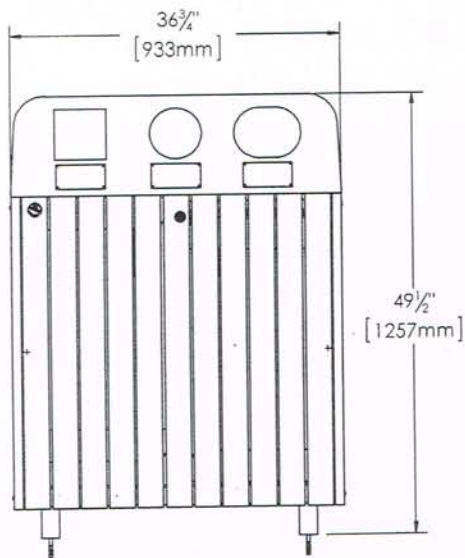
1-800-655-0827

c)

Place Publique Series - Unit Station

#184300

Rév.: May 28th, 2014



Features:

- This triple recycling unit is made of ULTRAPLAST™ recycled plastic and its structure is made of steel coated with our InfiniGuard Professional anti-corrosion system.
- Trash is made of 1" x 3" (25mm x 73mm).
- Structure is made of steel, 1/4" of thick (6mm).
- Thermoformed plastic lid.
- Front opening door with anti-theft-lock (key included).
- 3 polyethylene insides receptacles, capacity: 23 gallons US (87 litres).
- Chameleon hardware.
- Stainless steel standard anchor for concrete.
- Factory assembled.

Standard installation details:

- Surface mounted.

Options:

- Side ahstray.
- Stainless steel anti-theft anchor.
- Stainless steel anti-theft hardware.
- Semi-assembled.

Weight;205.27 Lb.

ENVIR CURB

www.envirocurb.com

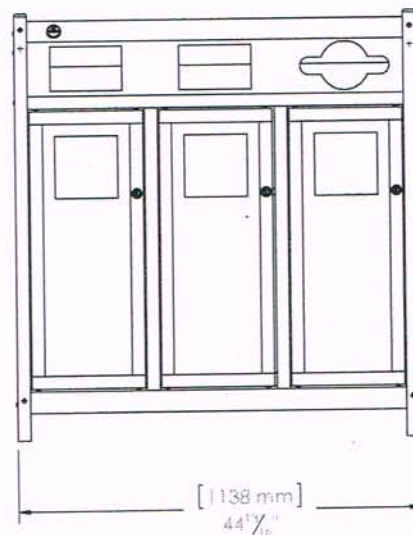
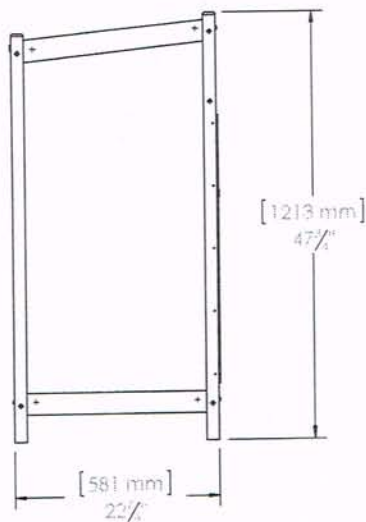
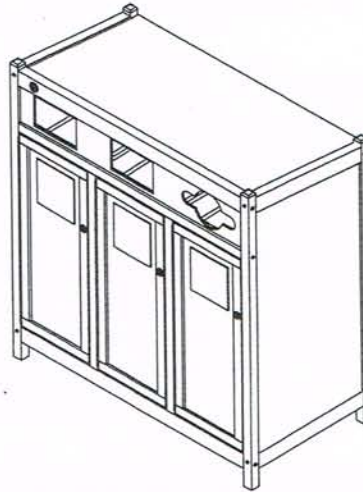
1-800-655-0827

st
ns
l, (Qc)

Parc series - Recycling station - 3 section

#184333

Rev.: August 5th, 2013



Features:

- This recycling station with three separate units is made of ULTRAPLAST™ recycled plastic.
- Trash is made of 2" x 3" (37mm X 62mm) and 2" x 2" (37mm x 37mm).
- Support 3/16" (5mm) made of steel coated with our InfiniGuard Professional anti-corrosion system.
- Plastic sheet 1/4" (6mm).
- Front opening door with anti-thelf-lock (key included).
- 3 polyethylene insides receptacles, capacity: 23 gallons US (87 litres).
- Stainless hardware.
- Factory assembled.

Standard installation details:

- Surface mounted.

Options:

- Stainless steel anti-theft anchor.
- Stainless steel anti-theft hardware.
- Stainless steel standard anchor for concrete.
- Casters.

Weight: 181.23 lbs

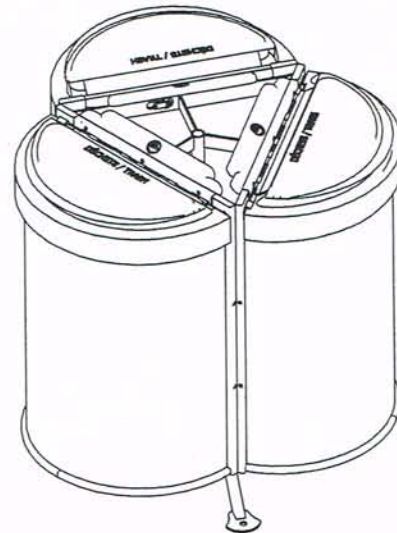
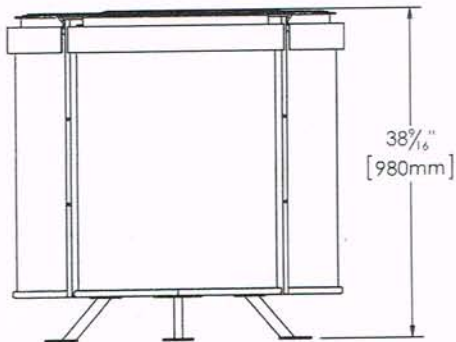
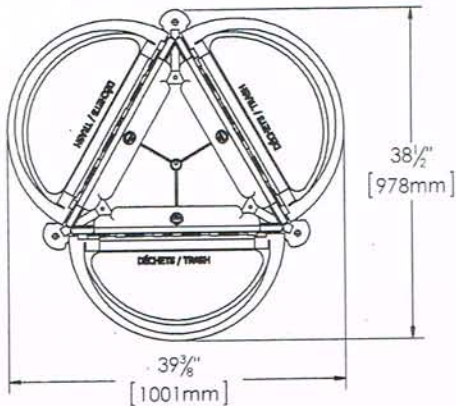
ENVIR CURB

www.envirocurb.com

1-800-655-0827

Place Publique Series 3 Receptacle Recycling Unit #BIR-3

Rév.: May 6th, 2014



Features:

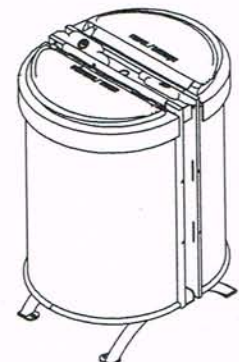
- This recycling unit is made of ULTRAPLAST™ recycled plastic and its structure is made of steel coated with our InfiniGuard Professional anti-corrosion system.
- Trash is made of $\frac{3}{4}" \times 3"$ (19mm x 68mm).
- Structure is made of steel, $\frac{3}{16}"$ of thick (5mm).
- EcoloTOP lid.
- Receptacle are removable for storage (anti-thelf-lock - key included).
- Capacity: 28 gallons US (108 litres) each.
- Chameleon hardware.
- Stainless steel standard anchor for concrete.
- Factory assembled.

Standard installation details:

- Surface mounted.

Options:

- Stainless steel anti-theft anchor.
- Stainless steel anti-theft hardware.
- Header for banner



#BIR-2
(2 unit)

Weight:110.48 Lb.

ENVIR CURB

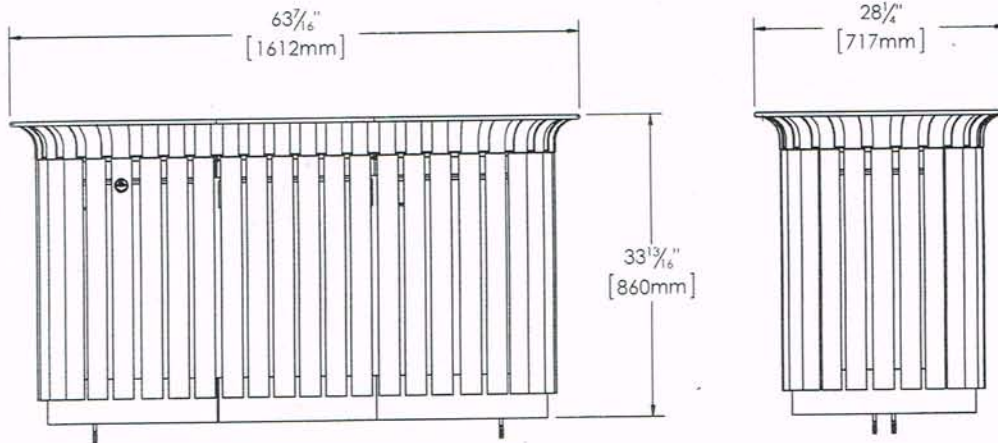
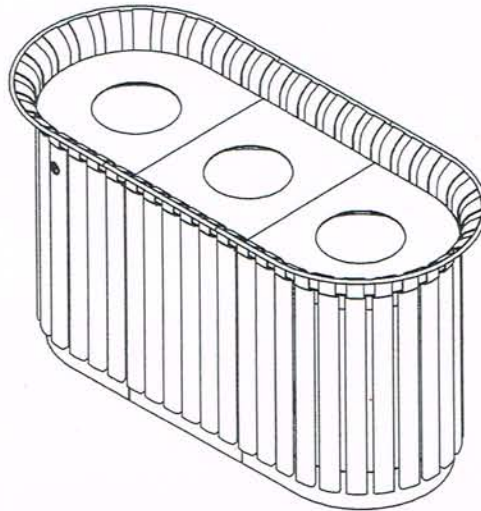
www.envirocurb.com

1-800-655-0827

Notre-Dame Series - Recycling unit-3ways

#295107-3

Rév.: May 28th, 2014



Features:

- The recycling unit is made of *ULTRAPLAST™* recycling plastic and the structure is made of steel coated with our "InfiniGuard Professional" anticorrosion system.
- The unit is made of 1" x 2 1/2" - 13 degree (25mm x 59mm).
- Steel hoops 1/4" thick (6.4mm)
- Steel Lid removable.
- Galvanized steel receptacle: 20 gal. US (75 liters)
- Chameleon hardware.
- Stainless steel standard anchor for concrete.
- Factory assembled.

Standard installation details:

- Surface mounted.

Options:

- Stainless steel anti-theft hardware.
- Stainless steel anti-theft anchor.

Weight:371.18 Lb.

ENVIR  CURB

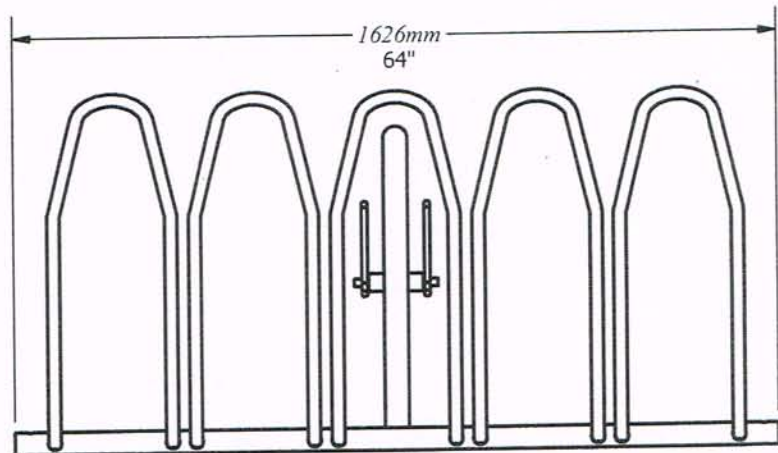
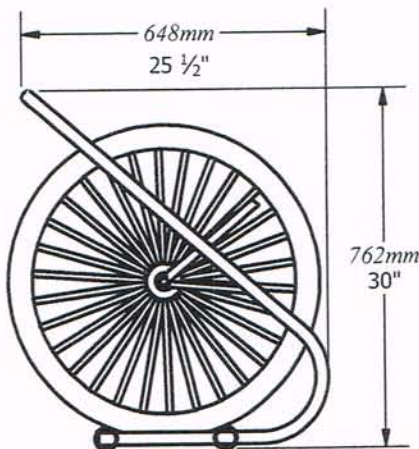
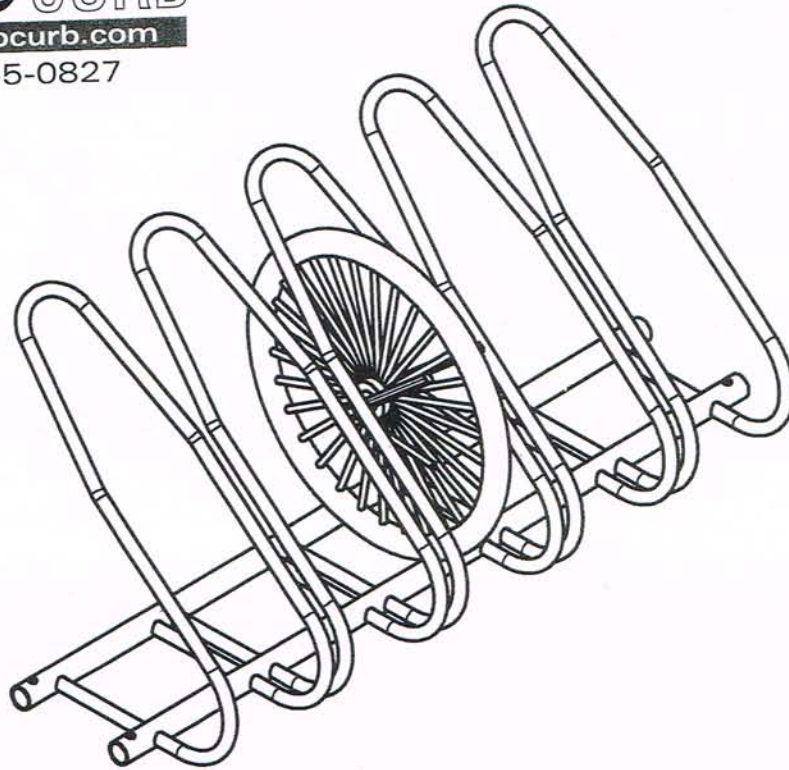
www.envirocurb.com

1-800-655-0827

Bromont series - Bike rack

#SVBT-5

Rev.: May 5th, 2011



Features:

- This bike rack is built as a single welded tubular galvanized steel assembly coated with black paint.
- The two transverse tubes are 1.9" in diameter (Ø48mm).
- The folding tubes securing the wheels are 1.05" in diameter (Ø27mm).
- Stainless steel, standard anchor, for concrete.
- Factory assembled.

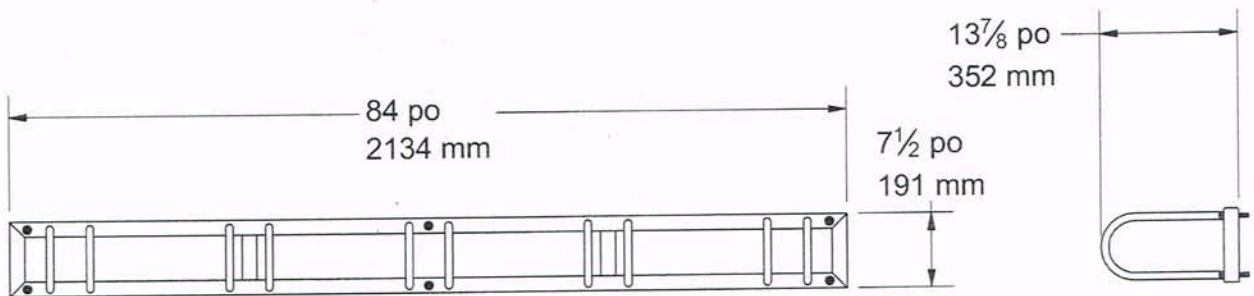
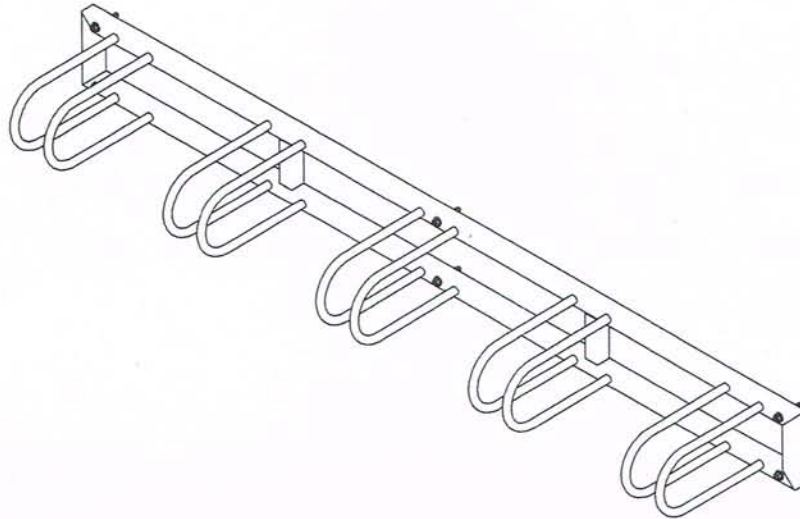
Standard installation details:

- Surface mounted

Option:

- Stainless steel anti-theft anchor.

Weight: 75Lb.



Features:

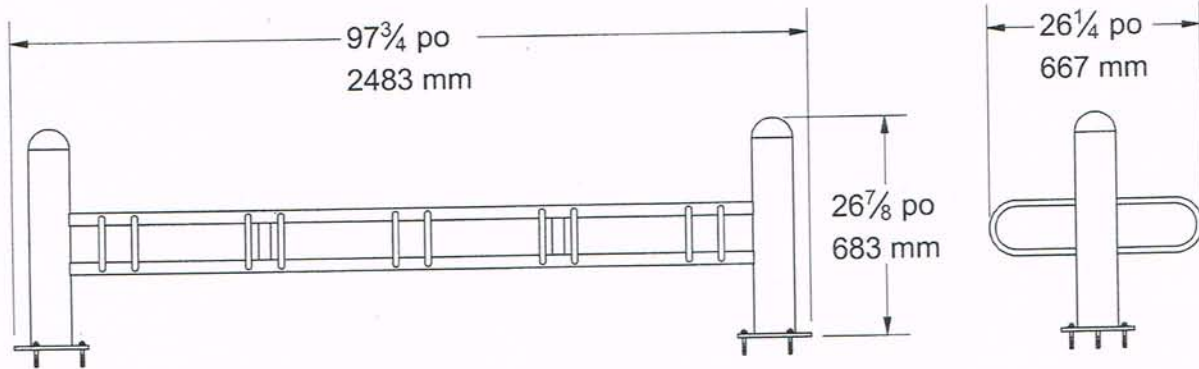
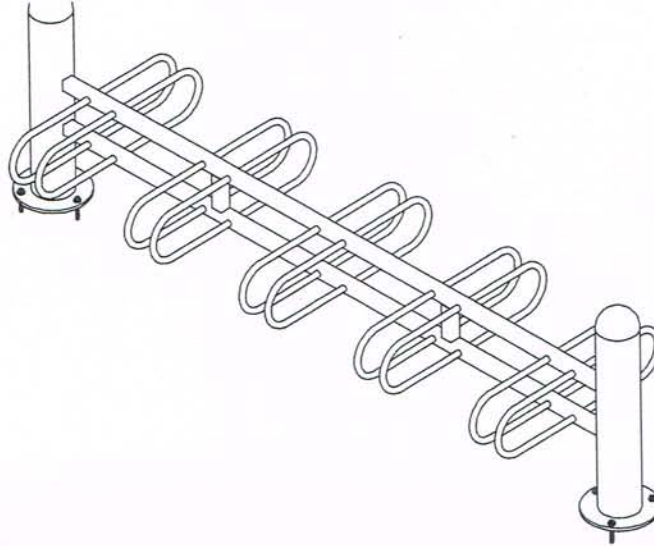
- The bike rack is made of steel coated with our "InfiniGuard Professional" anticorrosion system.
- Steel tubular legs, 5" diam. (DIA 127mm).
- Cross bars made of tubular steel 1 1/2" x 1 1/2" (38mm x 38mm).
- Wheel-holding bars made of steel rods, 3/4" diam.s (DIA 19mm).
- Stainless steel standard anchor for concrete.
- Factory assembled.

Standard installation details:

- Surface mounted.

Options:

- Stainless steel anti-theft anchor.
- Stainless steel permanent anti-theft anchor.



Features:

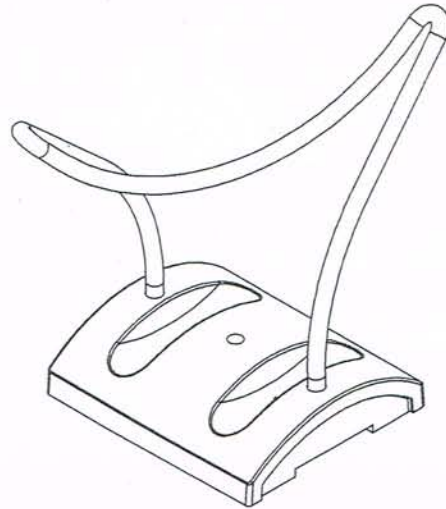
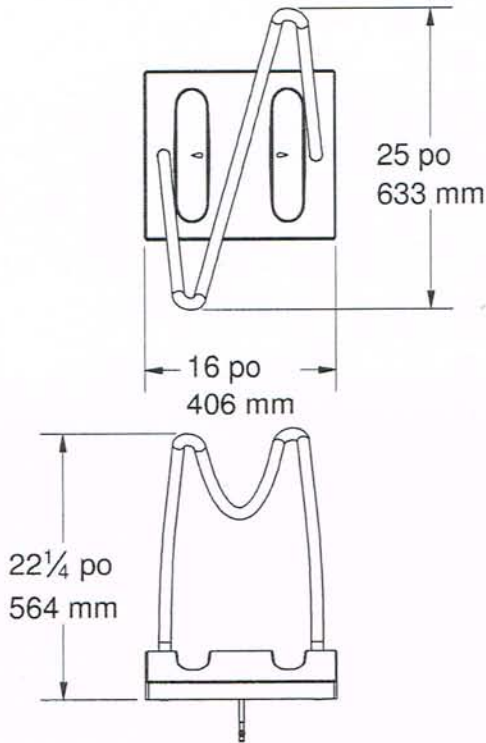
- The bike rack is made of steel coated with our "InfiniGuard Professional" anticorrosion system.
- Modular design allowing additional sections
- Steel tubular legs, 5" diam. (DIA 127mm).
- Cross bars made of tubular steel 1 1/2" x 1 1/2" (38mm x 38mm).
- Wheel-holding bars made of steel rods, 3/4" diam.s (DIA 19mm).
- Stainless steel standard anchor for concrete.
- Factory assembled.

Standard installation details:

- Surface mounted.

Options:

- Stainless steel anti-theft anchor.
- Stainless steel permanent anti-theft anchor.



Features:

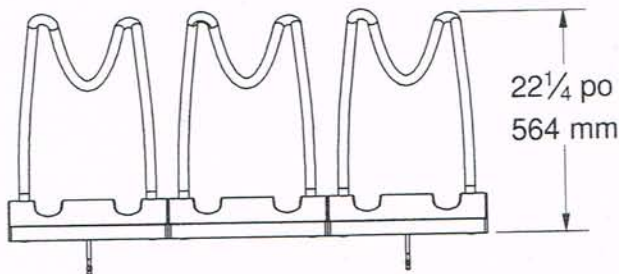
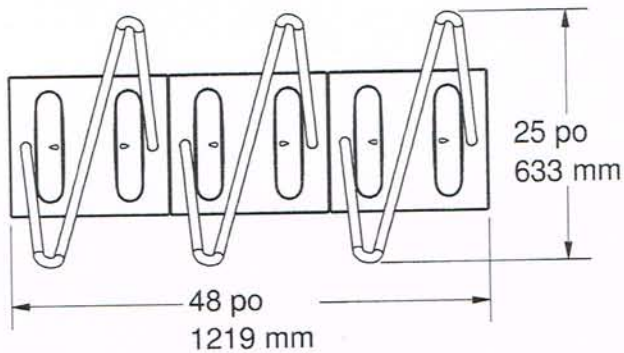
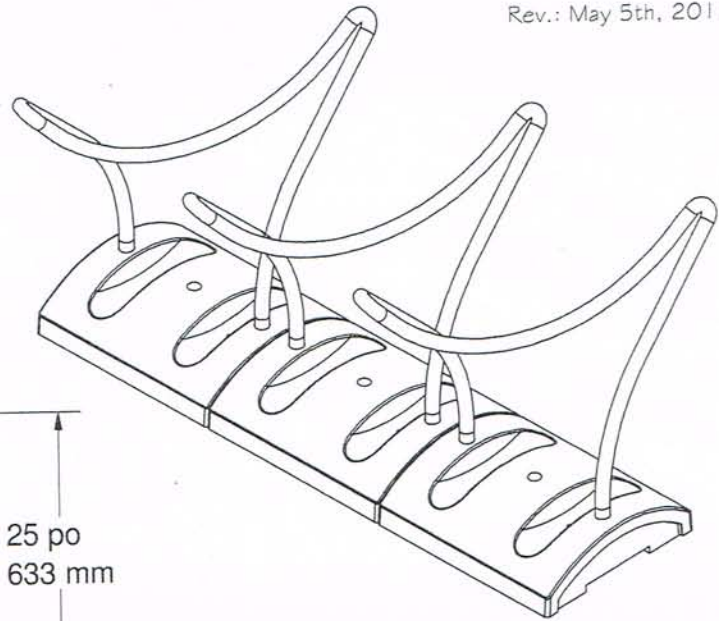
- The bike rack is made of *ULTRAPLAST™* recycled plastic and the support is made of steel coated with our "InfiniGuard Professional" anticorrosion system or galvanized.
- Expandable modular design.
- The rack has enough room per bike to lock both the rear wheel and a quick-release front wheel together.
- Black molded *ULTRAPLAST™* recycled plastic support base with slip-resistant tire grip.
- Tubular steel 1" (25mm).
- Add on modular design allowing infinite bike parking capacity.
- Stainless steel standard anchor for concrete.
- Factory assembled.

Standard installation details:

- Surface mounted.

Options:

- In-ground permanent anti-theft anchor.



Features:

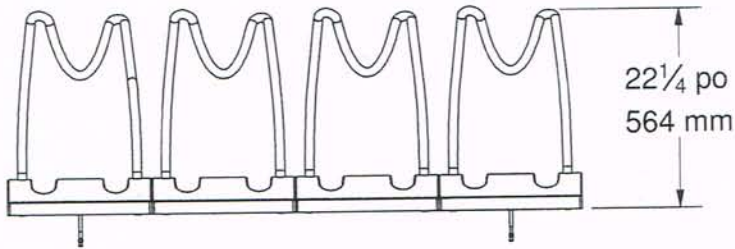
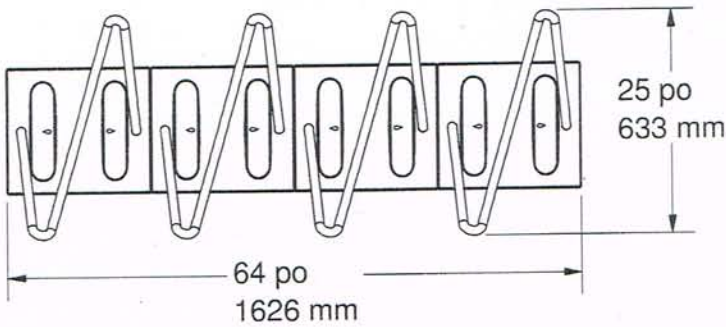
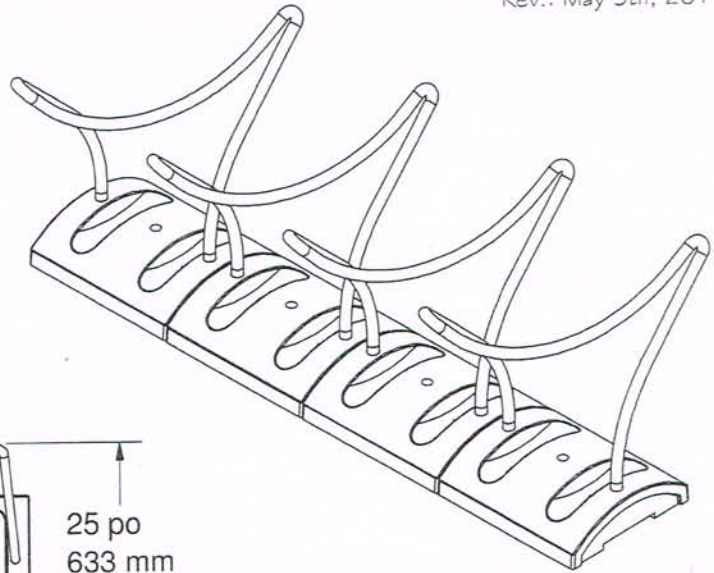
- The bike rack is made of *ULTRAPLAST™* recycled plastic and the support is made of steel coated with our "InfiniGuard Professional" anticorrosion system or galvanized.
- Expandable modular design.
- The rack has enough room per bike to lock both the rear wheel and a quick release front wheel together.
- Black molded *ULTRAPLAST™* recycled plastic support base with slip resistant tire grip.
- Tubular steel 1" (25mm).
- Add on modular design allowing infinite bike parking capacity.
- Stainless steel standard anchor for concrete.
- Factory assembled.

Standard installation details:

- Surface mounted.

Option:

- In-ground permanent anti-theft anchor.



Features:

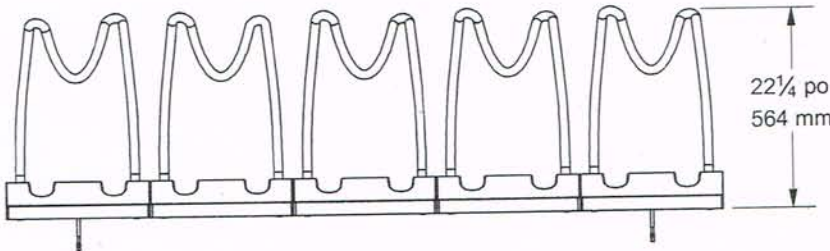
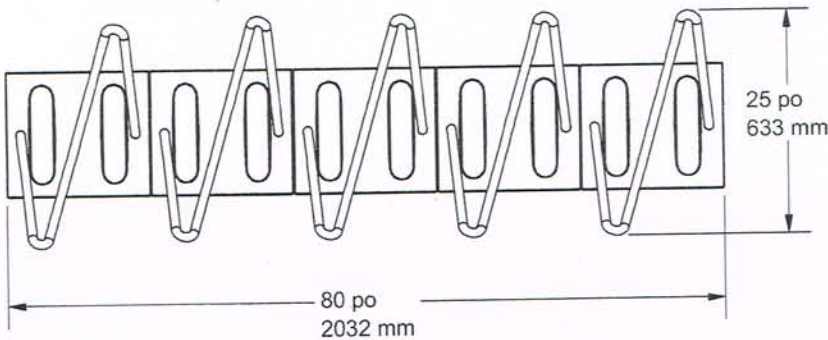
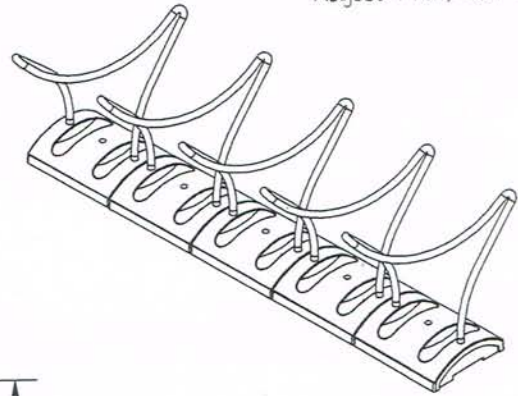
- The bike rack is made of *ULTRAPLAST™* recycled plastic and the support is made of steel coated with our "InfiniGuard Professional" anticorrosion system or galvanized.
- Expandable modular design.
- The rack has enough room per bike to lock both the rear wheel and a quick release front wheel together.
- Black molded *ULTRAPLAST™* recycled plastic support base with slip resistant tire grip.
- Tubular steel 1" (25mm).
- Add on modular design allowing infinite bike parking capacity.
- Stainless steel standard anchor for concrete.
- Factory assembled.

Standard installation details:

- Surface mounted.

Option:

- In-ground permanent anti-theft anchor.



Features:

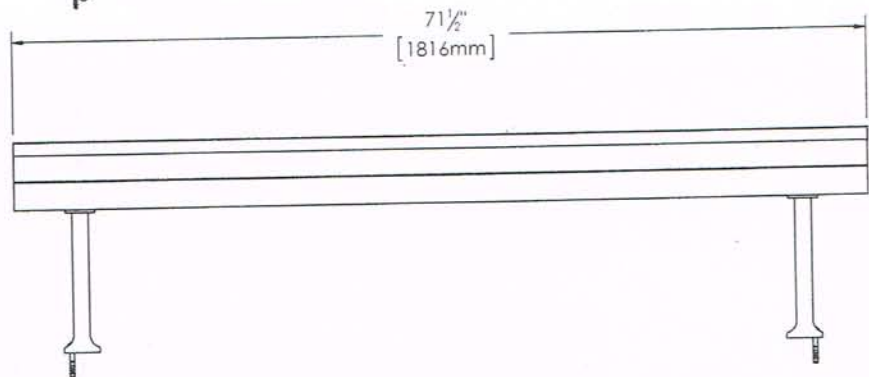
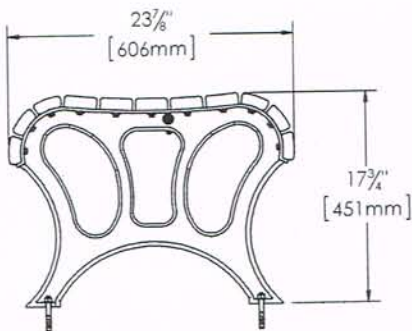
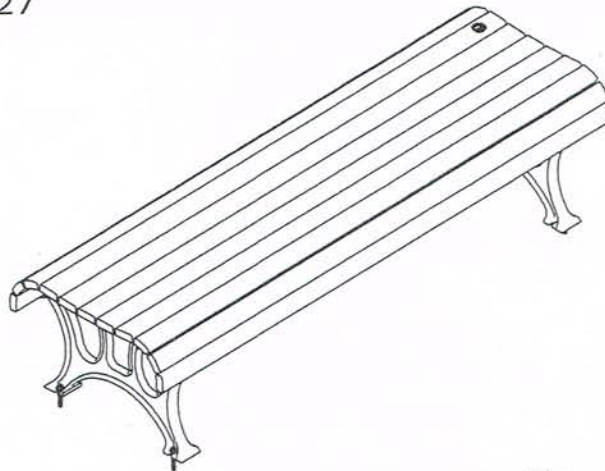
- The bike rack is made of *ULTRAPLAST™* recycled plastic and the support is made of steel coated with our "InfiniGuard Professional" anticorrosion system or galvanized.
- Expandable modular design.
- The rack has enough room per bike to lock both the rear wheel and a quick release front wheel together.
- Black molded *ULTRAPLAST™* recycled plastic support base with slip resistant tire grip.
- Tubular steel 1" (25mm).
- Add on modular design allowing infinite bike parking capacity.
- Stainless steel standard anchor for concrete.
- Factory assembled.

Standard installation details:

- Surface mounted.

Option:

- In-ground permanent anti-theft anchor.



Features:

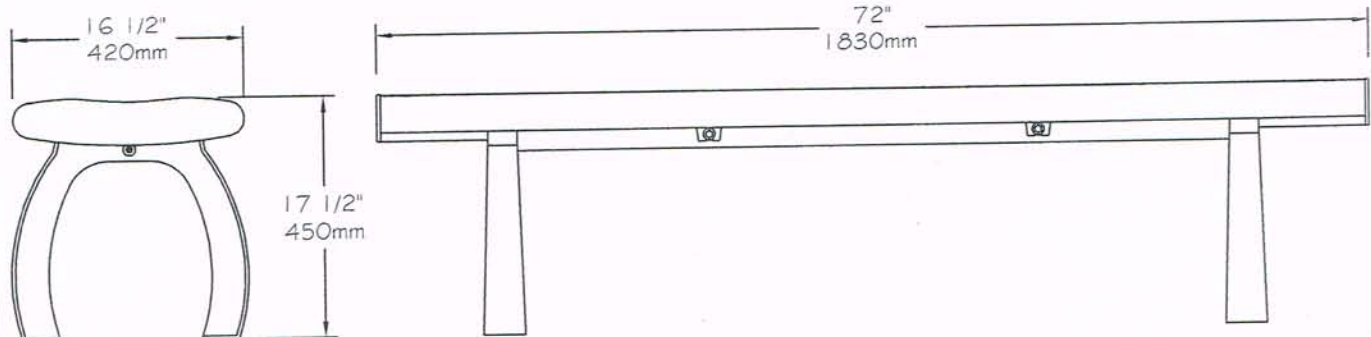
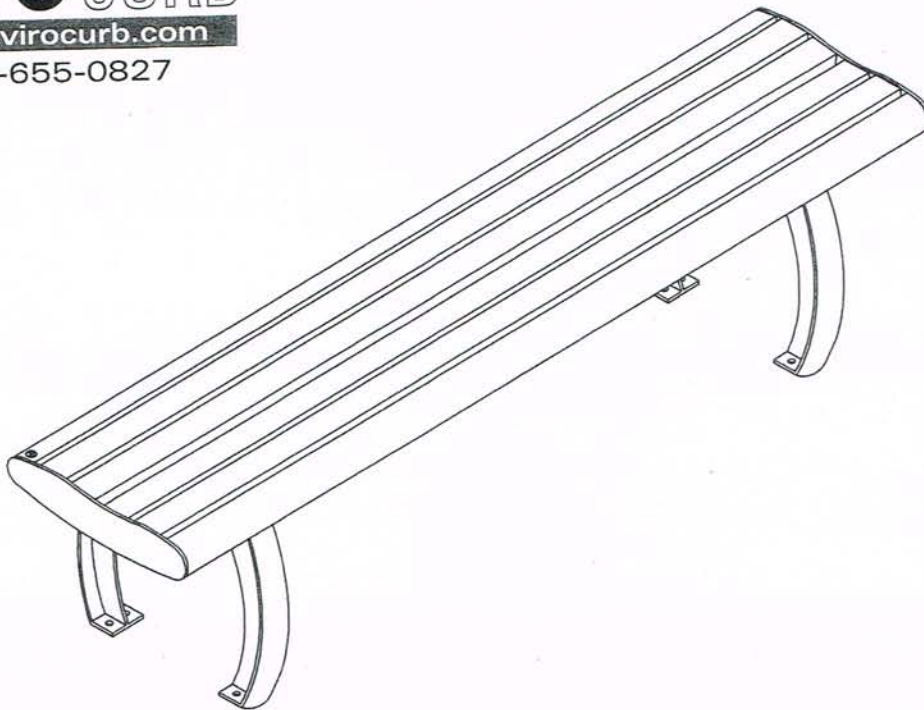
- The bench slats are made of **ULTRAPLAST™** recycled plastic, the structure is made of cast aluminum coated with our "InfiniGuard Professional" anti-corrosion system.
- The bench is made of 13 deg., 1 1/16" x 2 3/16" (27mm x 56mm) slats and 1 1/4" x 3 (25mm x 68mm) slats..
- Stainless steel hardware.
- Stainless steel standard anchor.
- Factory assembled.

Standard installation details:

- Surface mounted.

Options:

- Stainless steel anti-theft anchor.
- In-ground permanent anti-theft anchor.
- Stainless steel anti-theft hardware.



Features:

- The bench slats are made of **ULTRAPLAST™** recycled plastic, the structure is made of steel coated with our "InfiniGuard Professional" anti-corrosion system.
- The bench is made of 2" x 3" (37mm x 62mm) slats and 3" x 3" (62mm x 62mm) Bullnose slats.
- Chameleon hardware.
- Stainless steel standard anchor.
- Factory assembled.

Standard installation details:

- Surface mounted.

Options:

- Stainless steel anti-theft anchor.
- In-ground permanent anti-theft anchor.
- Stainless steel anti-theft hardware.

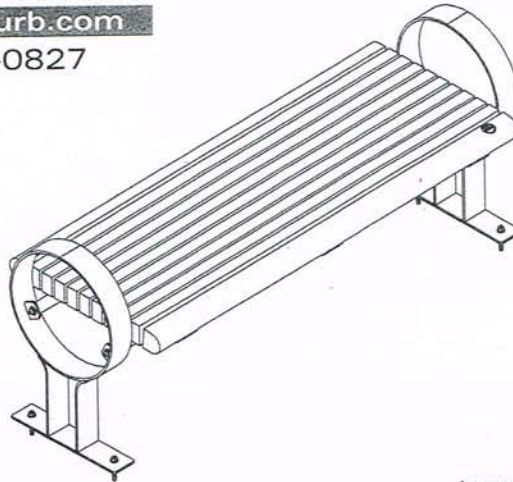
ENVIR  CURB

www.envirocurb.com

1-800-655-0827

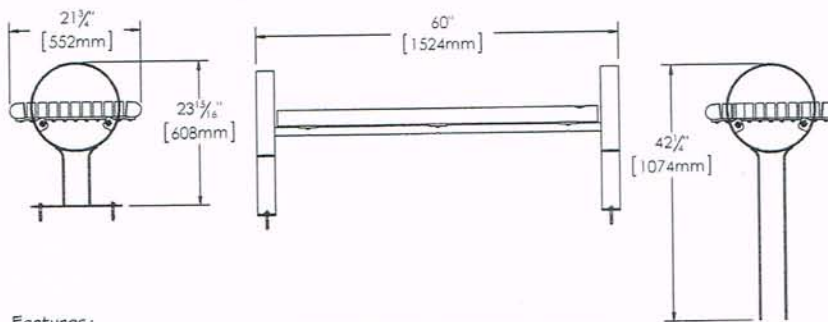
Laviolette Series - 60" Straight Bench

#594002
Rév.: May 8, 2014



Surface mounted

In-ground mounted



Features:

- The bench slats are made of ULTRAPLAST recycled plastic and the structure is made of steel coated with our "InfiniGuard Professional" anti-corrosion system.
- The bench is made of 2" x 3" (37mm x 62mm) slats and 3" x 3" (62mm x 62mm) Bullnose slats.
- Flat steel legs 1/4" x 3" (6mm x 76mm).
- Flat steel seat support 3/8" x 4" (10mm x 100mm).
- Chameleon hardware.
- Stainless steel standard anchor.
- Factory assembled.

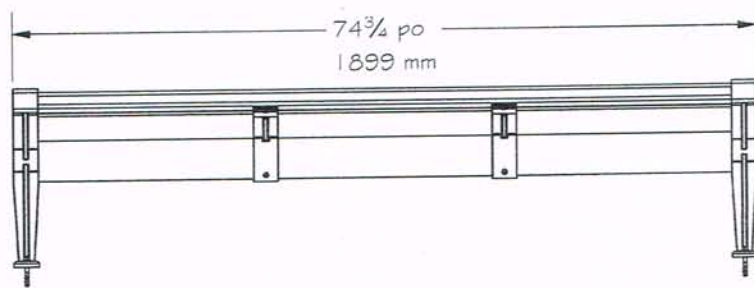
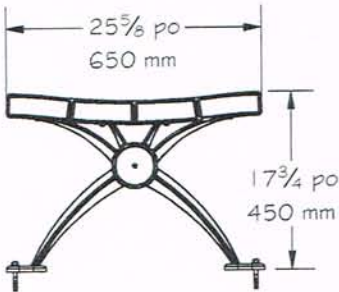
Standard installation details:

- Surface mounted.
- In-ground mounted.

Options:

- Stainless steel anti-theft anchor.
- Stainless steel anti-theft hardware
- Semi assembled.

Weight:148 Lb.



Features:

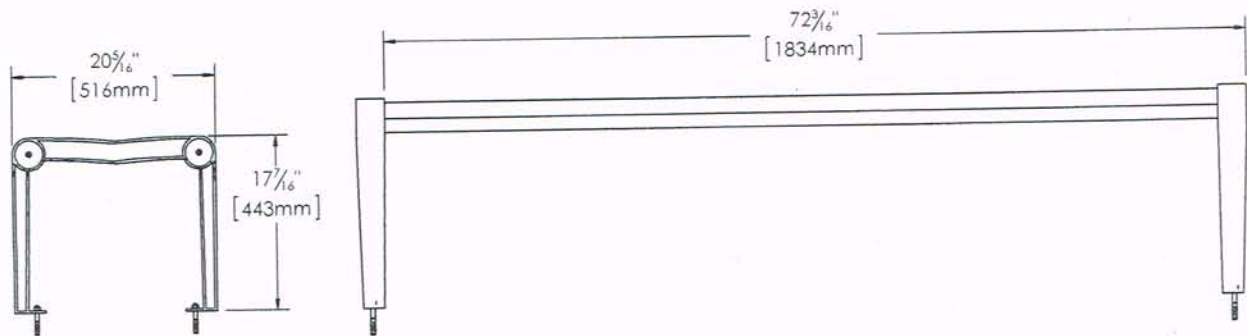
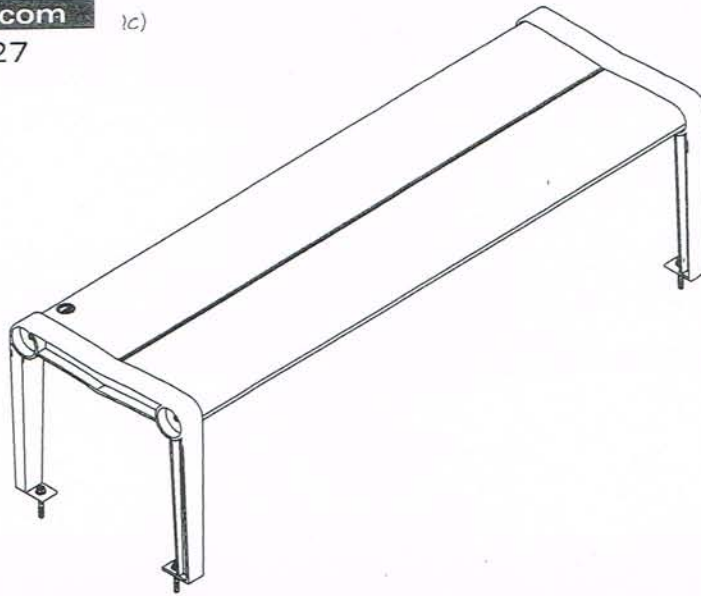
- The bench slats are made of **ULTRAPLAST™** recycled plastic, structure is made of cast aluminum and steel coated with our "InfiGuard Professional" system.
- The bench is made of 2" x 6" (41 mm x 153mm).
- The tubular support is made of steel, 4" diameter (102mm diameter).
- Stainless steel hardware.
- Stainless steel standard anchor.
- Shipped ready to be assembled.

Standard installation details:

- Surface mounted.

Options:

- Stainless steel anti-theft anchor.
- Stainless steel anti-theft hardware.
- Factory assembled.



Features:

- The bench slats are completely made of **ULTRAPLAST™** recycled plastic, the structure is made of cast aluminum coated with our "InfiniGuard Professional" anti-corrosion system.
- The slat dimensions are 2" x 10" (32mm x 250mm).
- Stainless steel hardware.
- Stainless steel standard anchor.
- Shipped ready to be assembled.

Standard installation details:

- Surface mounted.

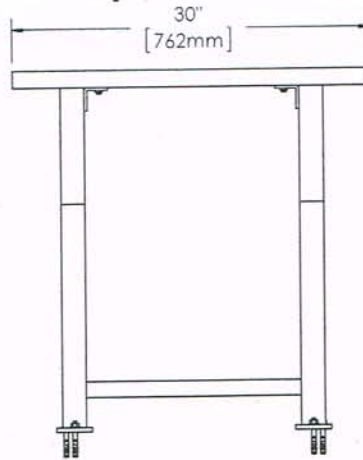
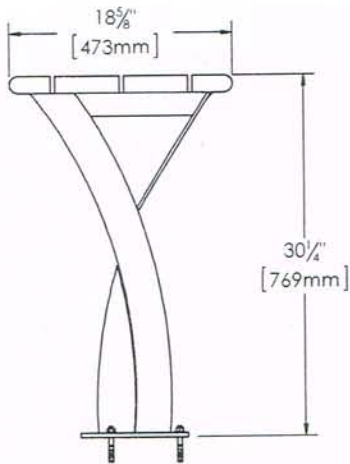
Options:

- Stainless steel anti-theft anchor.
- Stainless steel anti-theft hardware.
- Factory assembled.

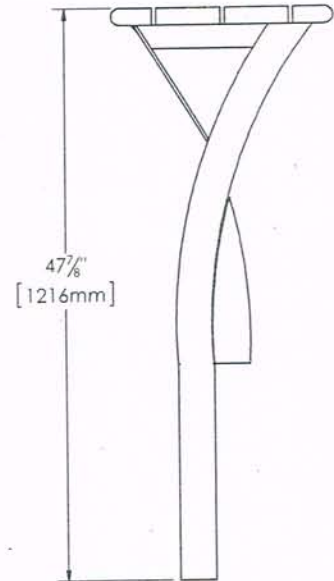
c)



Surface mounted



In-ground mounted



Features:

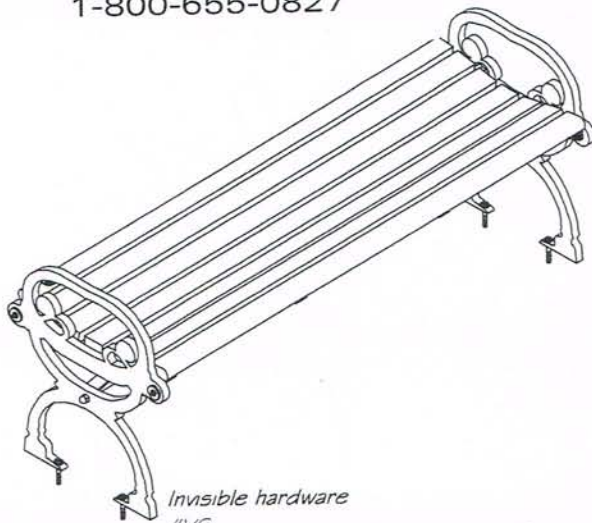
- The table slats are made of ULTRAPLAST™ recycled plastic and the structure is made of steel coated with our InfiniGuard Professional anticorrosion system.
- The table slats are in 2" x 6" (37mm x 137mm) with bullnose 2" x 4" (37mm x 86mm).
- Flat steel legs, 1/8" (3.2mm) and 3/8" (9.5mm) thickness.
- Stainless steel standard anchor.
- Cameleon hardware.
- Factory assembled.

Standard installation details:

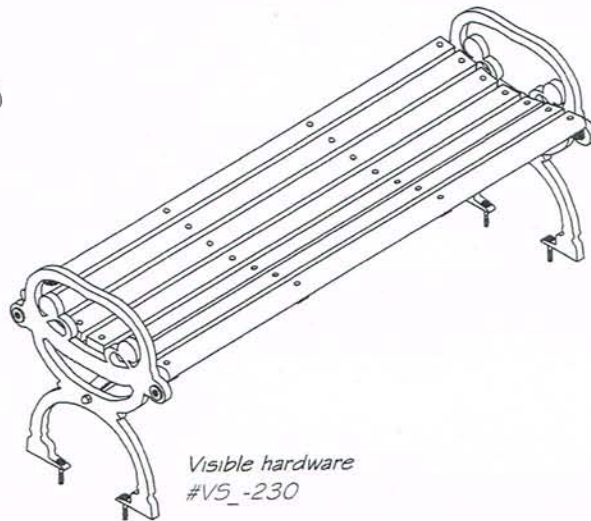
- Surface mounted.
- In-ground mounted.

Options:

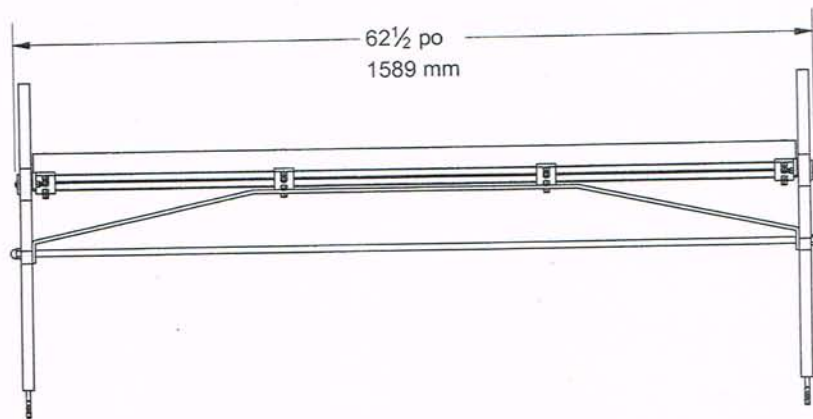
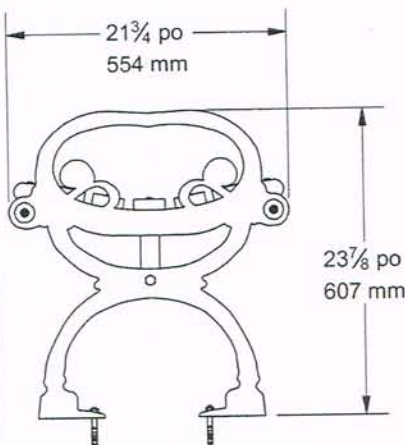
- Stainless steel antitheft anchor.
- Stainless steel antitheft hardware.



Invisible hardware
#VS_



Visible hardware
#VS_-230



Features:

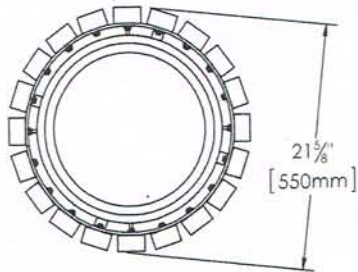
- This slat bench is made of *ULTRAPLAST™* recycled plastic, the legs are made of cast aluminum and the structure is made of steel.
- The structure and legs are coated with our "InfiniGuard Professional" anti-corrosion system.
- The bench is built with 2 x 3" (37 x 62mm) slats and 2 x 3" (37 x 62mm) "bullnose" slats.
- The structural ties are made of 1/4 x 1 1/2" (6.3 x 38mm) flat steel and of 1/2" (13mm) steel rod.
- Flat steel seat reinforcement, 1/4" x 2" (6.3mm x 51mm).
- Stainless steel hardware.
- Visible hardware or invisible hardware.
- Stainless steel standard anchor for concrete.
- Shipped ready to be assembled.

Standard installation details:

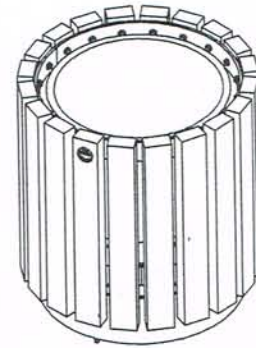
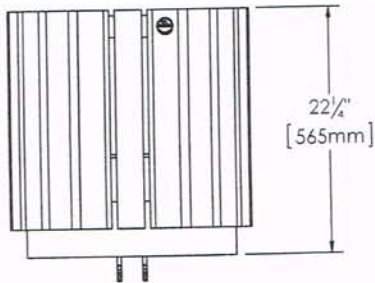
- Surface mounted.

Options:

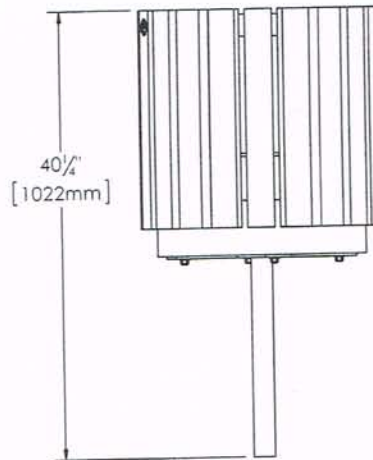
- Stainless steel anti-theft anchor.
- Factory-assembled.



Surface mounted



In-ground mounted



Features:

- The flower planter is made of *ULTRAPLAST™* recycled plastic and its structure is made of steel coated with our "InfiniGuard Professional" anti-corrosion system.
- The flower planter slats measure 2" x 3" (37mm x 62mm).
- Polyethylene inner container.
- Capacity: 10 gal. US (38 liters).
- Chameleon hardware.
- Stainless steel standard anchor for concrete.
- Factory assembled.

Standard installation details:

- Surface mounted,
- In-ground mounted.

Options:

- Stainless steel anti-theft anchor.
- Stainless steel anti-theft hardware.

ENVIR  CURB

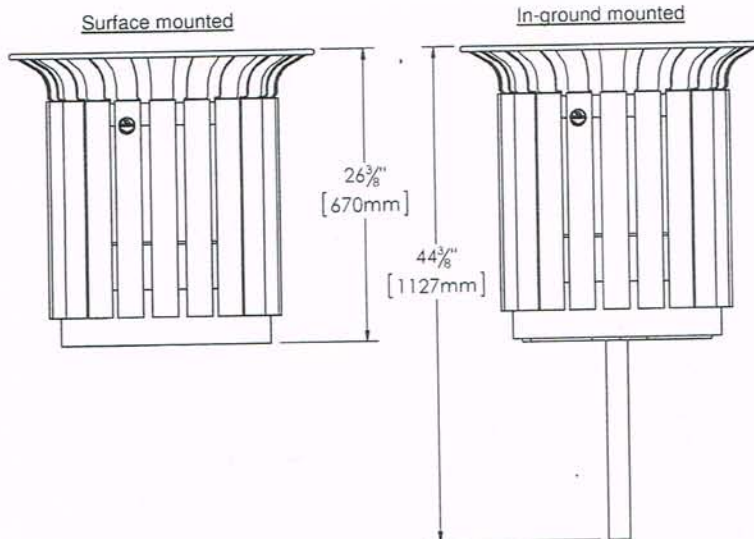
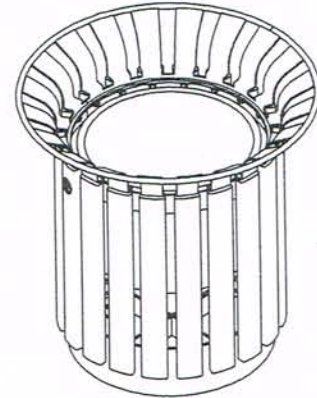
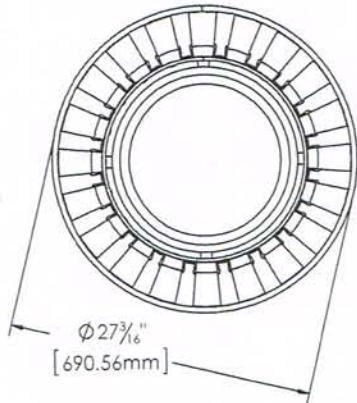
www.envirocurb.com

1-800-655-0827

Notre-Dame Series - Flower Planter 27"

#295110

Rév.: May 6th, 2014



Features:

- The flower planter is made of *ULTRAPLAST™* recycled plastic and its structure is made of steel coated with our "InfiniGuard Professional" anti-corrosion system.
- The flower planter slats measure 1" x 2 1/2"- 13 degree (25mm x 59mm).
- Polyethylene liner container.
- Capacity: 10 gal. US (38 ltrs).
- Chameleon hardware.
- Stainless steel standard anchor for concrete.
- Factory assembled.

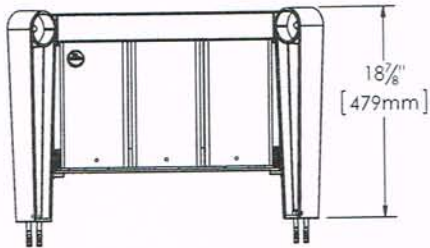
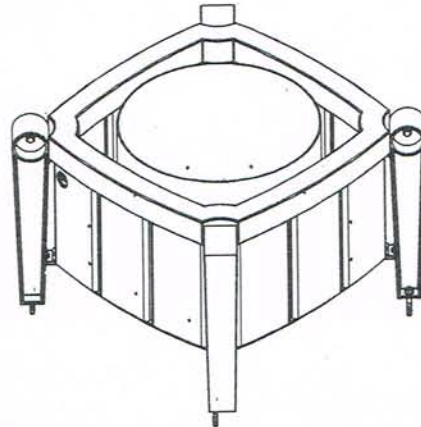
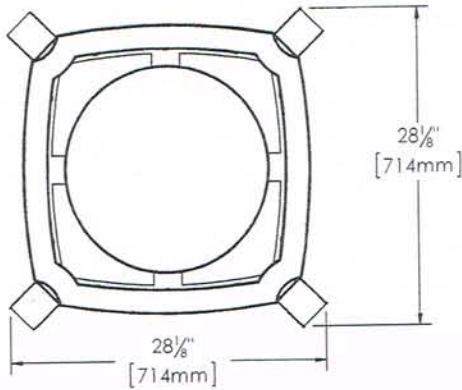
Standard installation details:

- Surface mounted.
- In-ground mounted.

Options:

- Stainless steel anti-theft anchor.
- Stainless steel anti-theft hardware.

Weight; 39.13Kg.



Features:

- The flower planter is made of *ULTRAPLAST™* recycled plastic, the structure is of cast aluminum and steel coated with our "InfiniGuard Professional" system.
- The flower planter is made of 2" x 7" (41mm x 153mm).
- The legs are made of cast aluminum and the structure is made of steel.
- Stainless steel hardware.
- Stainless steel standard anchor.
- Polyethylene plastic liner, 15 gal. US (59 liters) capacity.
- Factory assembled.

Standard installation details:

- Surface mounted.

Options:

- Stainless steel antitheft anchor.
- Shipped ready to be assembled.

ENVIR CURB

www.envirocurb.com

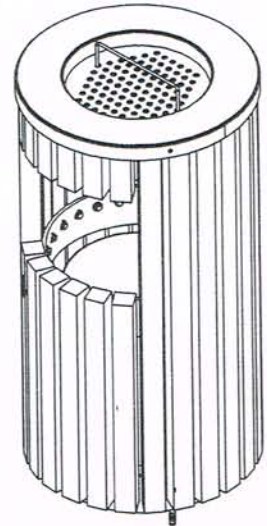
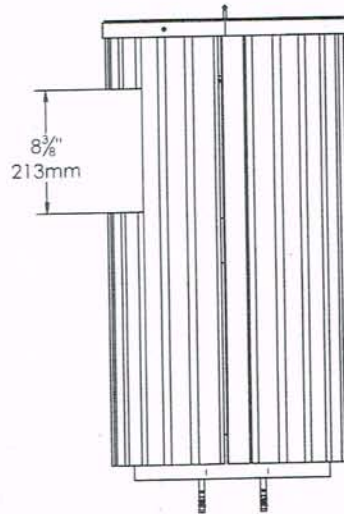
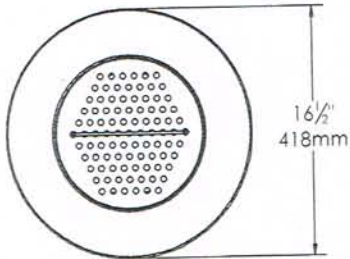
1-800-655-0827

15
(Qc)

Place Public Series-Trash Receptacle with Ashtray

#114419

Rev.: September 4th, 2013



Features:

- The trash receptacle is made of *ULTRAPLAST™* recycled plastic and its structure is made of steel coated with our "InfiniGuard Professional" anti-corrosion system.
- Trash receptacle slats measure 2" x 2" (37mm x 37mm).
- Steel hoops 1/4" thick (6.4mm).
- Lateral opening for trash: 10 5/8" x 8 3/8" (270mm x 213mm high).
- Galvanized steel liner container requiring garbage bags.
- Capacity: 3.6 gal. US (14 liters).
- Steel ashtray with handle for easy emptying.
- Chameleon hardware.
- Stainless steel standard anchor for concrete.
- Factory assembled.

Standard installation details:

- Surface mounted.

Options:

- Stainless steel anti-theft anchor.
- In-ground permanent anchor.
- Stainless steel anti-theft hardware.

Weight: Lbs