

ENVIR  CURB

www.envirocurb.com

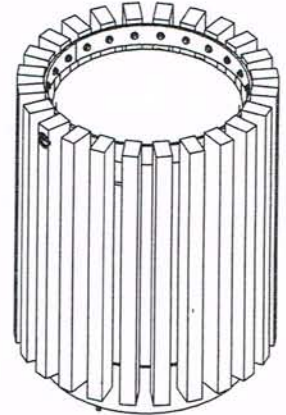
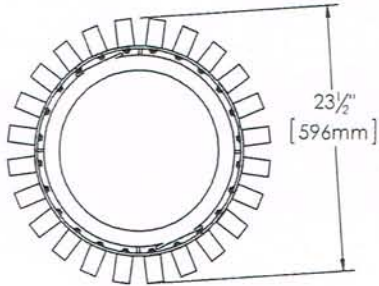
1-800-655-0827

)(c)

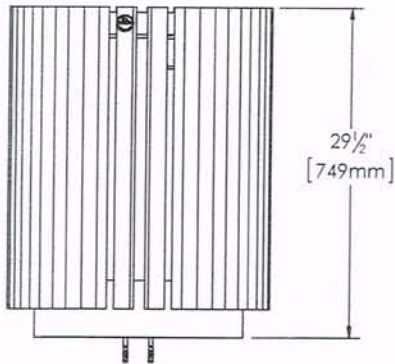
Place Publique Series - Trash Receptacle

#184402

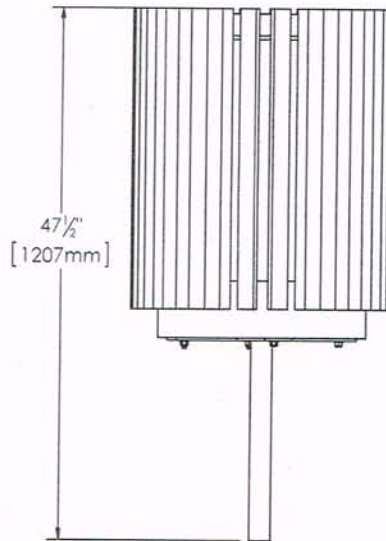
Rév.: February 3rd, 2014



Surface mounted



In-ground mounted



Features:

- The trash receptacle is made of *ULTRAPLAST™* recycled plastic and its structure is made of steel coated with our "InfiniGuard Professional" anti-corrosion system.
- Trash receptacle is made of 2" x 3" (37mm x 62mm).
- Steel hoops 1/4" thick (6.4mm).
- Galvanized steel receptacle: 20 gal. US (75 liters).
- Chameleon hardware.
- Stainless steel standard anchor for concrete.
- Factory assembled.

Standard installation details:

- Surface mounted.
- In-ground mounted.

Options:

- Stainless steel anti-theft hardware.
- Stainless steel anti-theft anchor.
- Side ashtray.
- Lid *ecoloTOP 24"* (610mm).
- Lid.

Weight: 126.33 Lb.

ENVIR CURB

www.envirocurb.com

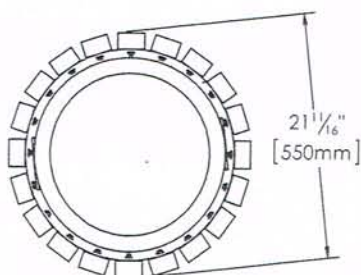
1-800-655-0827

c)

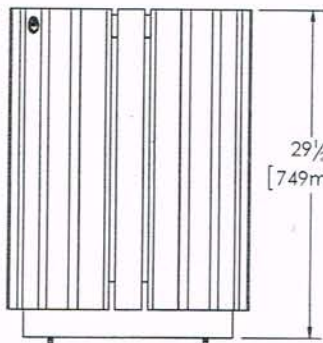
Place Publique Series - Trash Receptacle

#184417

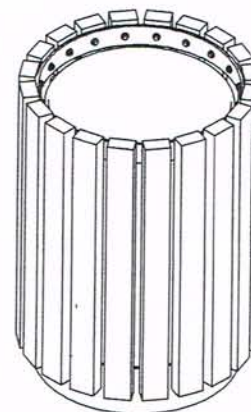
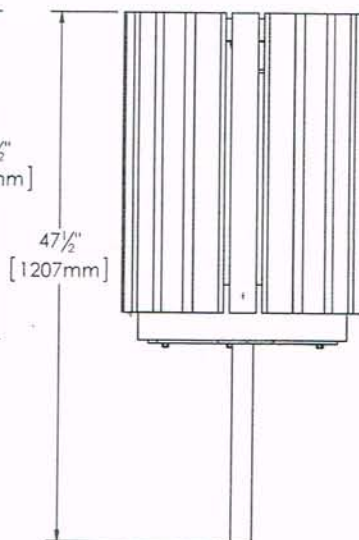
Rév.: February 3rd, 2014



Surface mounted



In-ground mounted



Features:

- The trash receptacle is made of *ULTRAPLAST™* recycled plastic and its structure is made of steel coated with our "InfiniGuard Professional" anti-corrosion system.
- Trash receptacle is made of 2" x 3" (37mm x 62mm).
- Steel hoops 1/4" thick (6.4mm).
- Galvanized steel receptacle: 20 gal. US (75 liters).
- Chameleon hardware.
- Stainless steel standard anchor for concrete.
- Factory assembled.

Standard installation details:

- Surface mounted.
- In-ground mounted.

Options:

- Stainless steel anti-theft hardware.
- Stainless steel anti-theft anchor.
- Side ashtray.
- Lid *ecoloTOP* 22" (559mm).
- Lid.

Weight; 112.34 Lb.

ENVIR CURB

www.envirocurb.com

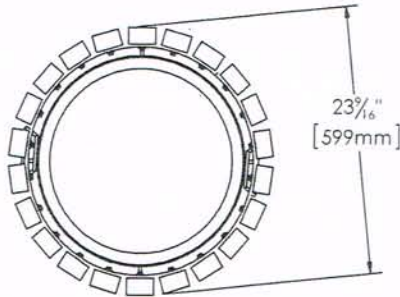
1-800-655-0827

c)

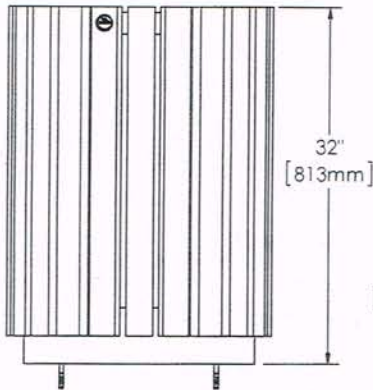
Place Publique Series - Trash Receptacle

#184418

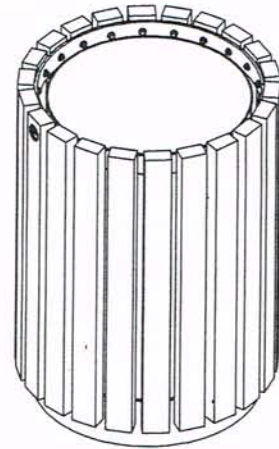
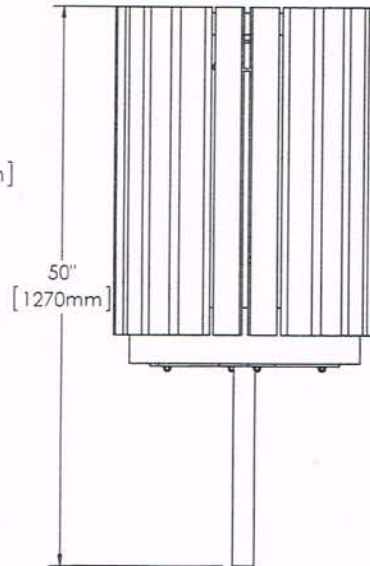
Rév.: February 3rd, 2014



Surface mounted



In-ground mounted



Features:

- The trash receptacle is made of *ULTRAPLAST™* recycled plastic and its structure is made of steel coated with our "InfiniGuard Professional" anti-corrosion system.
- Trash receptacle is made of 2" x 3" (37mm x 62mm).
- Steel hoops 1/4" thick (6.4mm).
- Galvanized steel receptacle: 28 gal. US (106 liters).
- Chameleon hardware.
- Stainless steel standard anchor for concrete.
- Factory assembled.

Standard installation details:

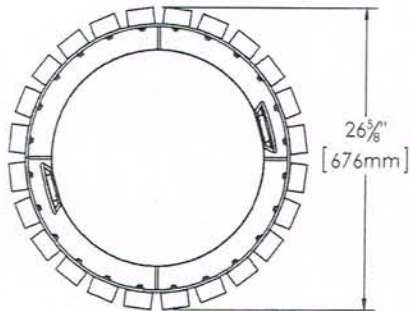
- Surface mounted.
- In-ground mounted.

Options:

- Stainless steel anti-theft hardware.
- Stainless steel anti-theft anchor.
- Side ashtray.
- Lid *ecoloTOP 24"* (610mm).
- Lid.

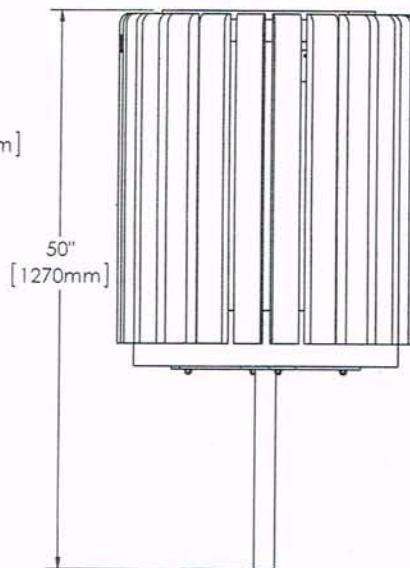
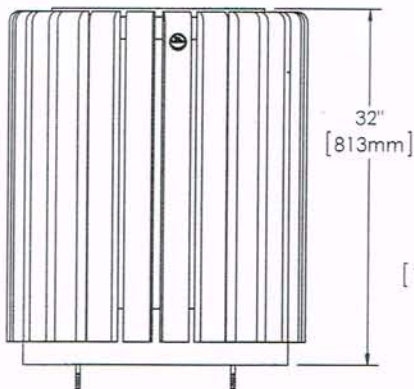
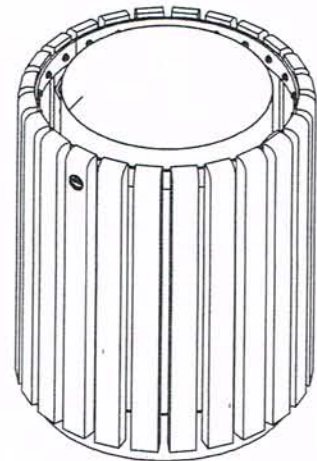
Weight: 126.65 Lb.

c)



Surface mounted

In-ground mounted



Features:

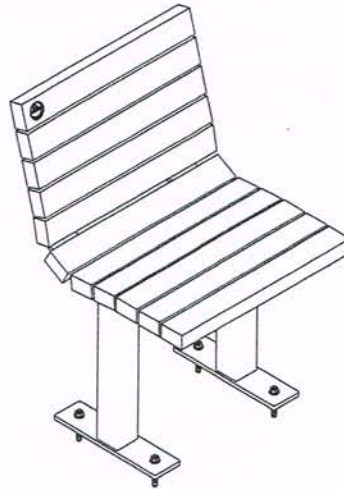
- The trash receptacle is made of *ULTRAPLAST™* recycled plastic and its structure is made of steel coated with our "InfiniGuard Professional" anti-corrosion system.
- Trash receptacle is made of 2" x 3" (37mm x 62mm).
- Steel hoops 1/4" thick (6.4mm).
- Galvanized steel receptacle: 34 gal. US (129 liters).
- Chameleon hardware.
- Stainless steel standard anchor for concrete.
- Factory assembled.

Standard installation details:

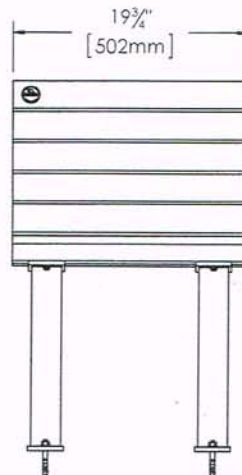
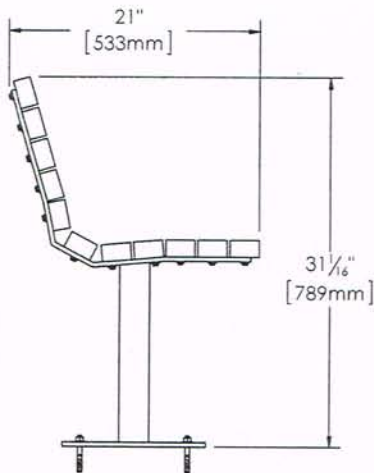
- Surface mounted.
- In-ground mounted.

Options:

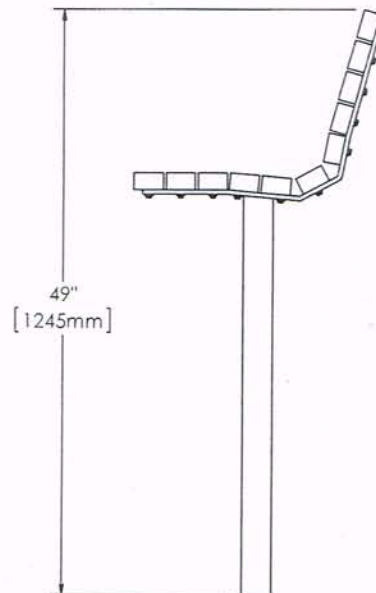
- Stainless steel anti-theft hardware.
- Stainless steel anti-theft anchor.
- Side ashtray.
- Lid ecoTOP 22" (559mm).
- Lid.



Surface mounted



In-ground mounted



Features:

- The bench is made of *ULTRAPLASTM* ^ recycled plastic and its structure is made of steel coated with our "InfiniGuard Professional" anti-corrosion system.
- The bench slats measure 2" x 3" (37mm x 62mm).
- Tubular steel legs, 2 1/2" x 2 1/2" (64mm x 64mm) and flat steel 3/8" (10mm).
- Chameleon hardware.
- Stainless steel standard anchor for concrete.
- Factory assembled.

Standard installation details:

- Surface mounted.
- In-ground mounted.

Options:

- Stainless steel anti-theft anchor.
- Stainless steel anti-theft hardware
- Shipped ready to be assembled.

ENVIR CURB

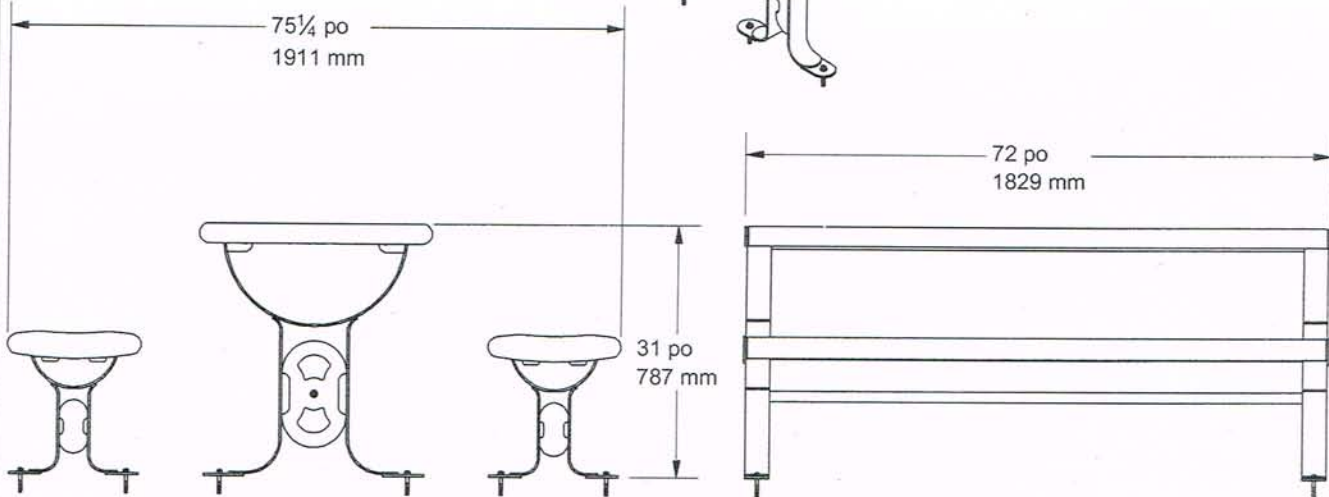
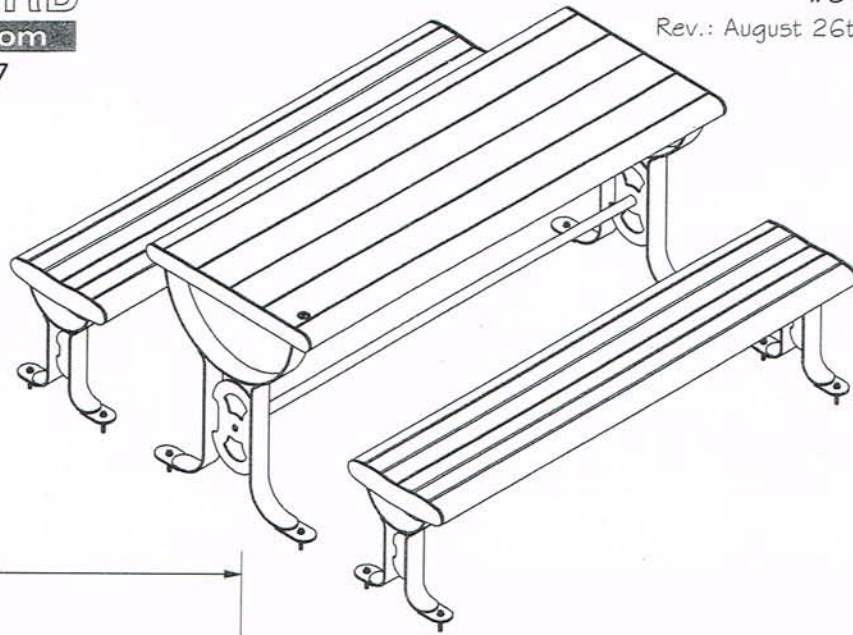
www.envirocurb.com

1-800-655-0827

Franklin Series - 72" Bench

#574401

Rev.: August 26th, 2011



Features:

- The picnic table slats are made of **ULTRAPLAST™** recycled plastic and the structure is made of steel coated with our "InfiniGuard Professional" anti-corrosion system.
- The bench slats are made of 5/4" x 3" (32mm x 62mm) and Bullnose 3" x 3" (62mm x 62mm).
- The table slats are made of 5/4" x 6" (32mm x 141mm) and Bullnose 3" x 3" (62mm x 62mm).
- Table legs made out of flat steel, 1/4" x 3" (6.4mm x 76mm) and 1/4" x 3" (6.4mm x 76mm).
- Table and seat beds made out of tubular steel, 1.3" diameter (33mm diameter) and 1/4" x 2" (6.4mm x 51mm) flat steel.
- Chameleon hardware.
- Stainless steel standard anchor.
- Shipped assembled.

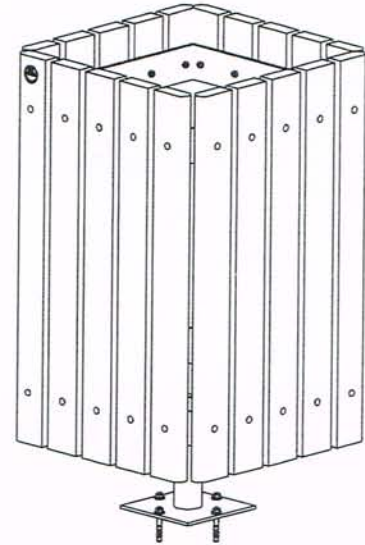
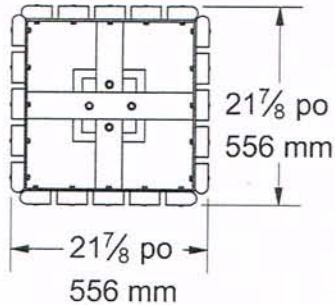
Standard installation details:

- Surface mounted.

Options:

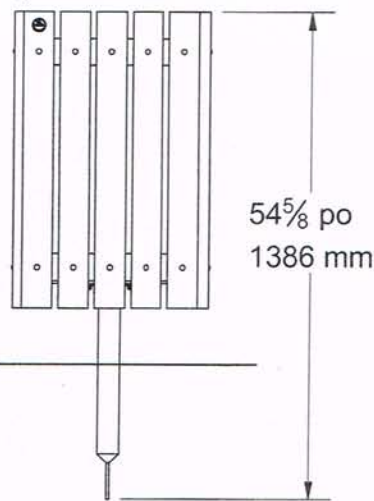
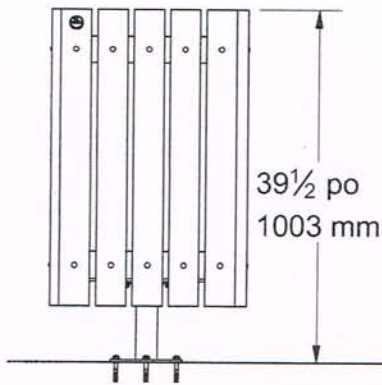
- Stainless steel anti-theft anchor.
- In-ground permanent anchor.
- Stainless steel anti-theft hardware.

Weight: 43 l. lb.



Surface mounted

In-ground mounted



Features:

- The Trash receptacle is made of **ULTRAPLAST™** recycled plastic slats and the structure is made out of steel coated with our "InfiniGuard Professional" anti-corrosion system.
- The trash receptacle is made of 2" x 4" (37mm x 86mm) slats and 2" x 4" (37mm x 86mm) Bullnose slats.
- Tubular steel support tube, 2 3/8" diameter (6.4mm diameter).
- Flat steel seat reinforcement, 1/4" x 3" (6.4mm x 76mm)
- Stainless steel hardware.
- Galvanized liner, 28 gal US (109 litres).
- Stainless steel standard anchor.
- Factory assembled.

Standard installation details:

- Surface mounted.
- In-ground mounted.

Options:

- Stainless steel anti-theft hardware.
- Stainless steel anti-theft anchor.
- Side ashtray.
- Shipped ready to be assembled.

ENVIR CURB

www.envirocurb.com

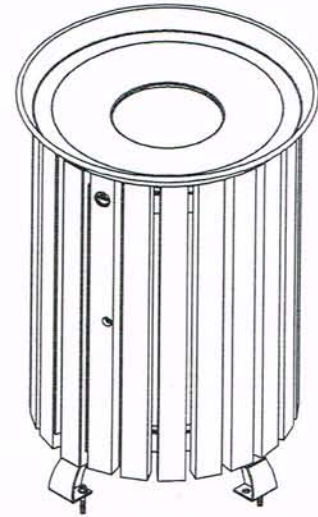
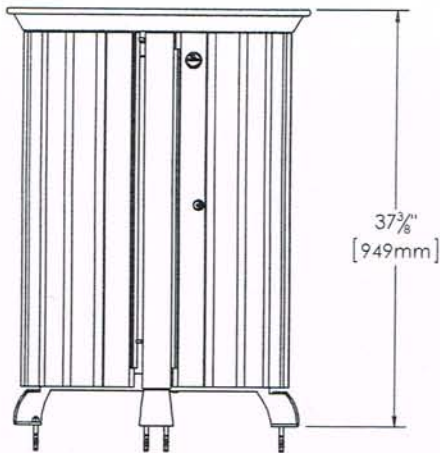
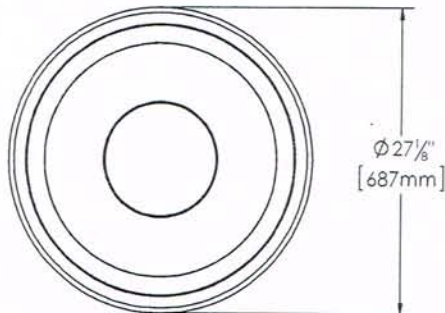
1-800-655-0827

2c)

De Vinci Series - Trash Receptacle

#284402

Rév.: January 13th, 2014



Features:

- The trash receptacle slats are made of *ULTRAPLAST™* recycled plastic and the structure is made of steel coated with our "InfiniGuard Professional" anti-corrosion system.
- The trash is made of 2" x 3" (37mm x 62mm) slats.
- Receptacle empties through side opening.
- Embossed steel cover.
- Capacity of galvanized steel receptacle: 28 gal. US (109 liters).
- Chameleon hardware.
- Stainless steel standard anchor.
- Factory assembled.

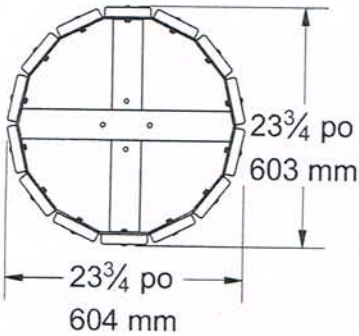
Standard installation details:

- Surface mounted.

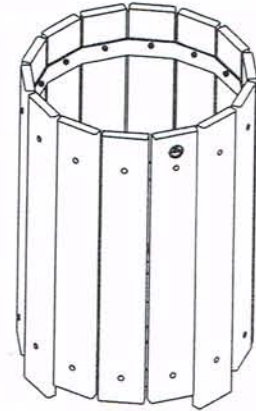
Options:

- Stainless steel anti-theft anchor.
- In-ground permanent anchor.
- Side ashtray.
- Stainless steel anti-theft hardware.

Weight; 173 lb.

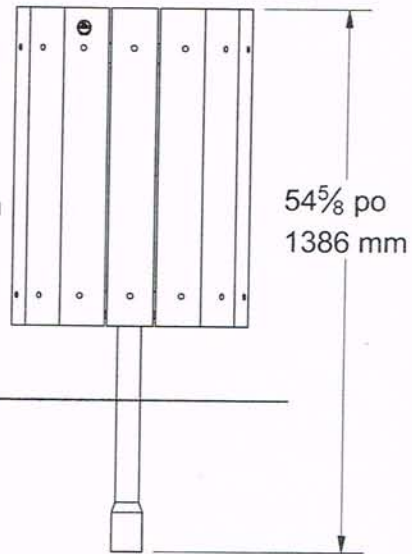
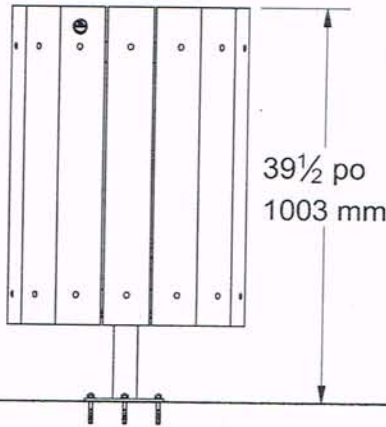
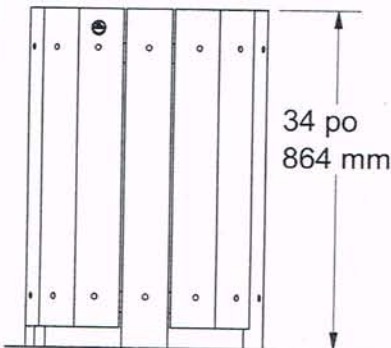


Surface mounted



Amovible
(OPE)

Inground mounted
(OPD)



Features:

- The trash receptacle is made of **ULTRAPLAST™** recycled plastic and its structure is made of steel galvanized.
- Trash receptacle is made of slats 1" x 4 3/4" (25mm x 121 mm).
- Two stainless steel band (strip) restraint the assembly.
- Polyethylene receptacle, 32 gal. US. (121 liters).
- Shipped assembly.

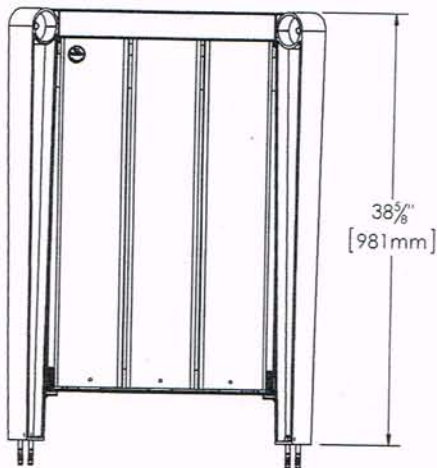
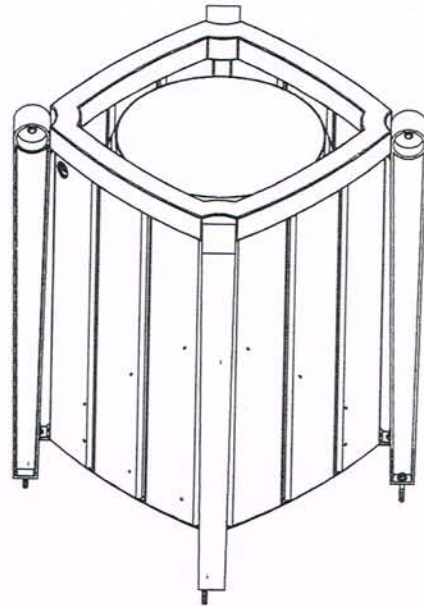
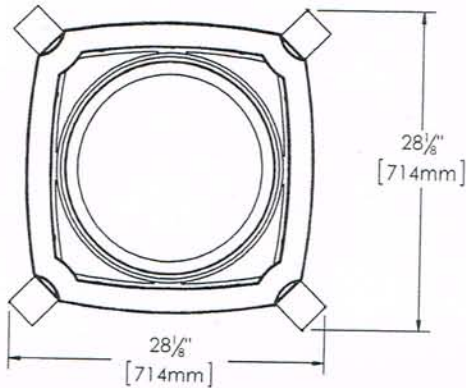
Standard installation details:

- Amovible.
- Surface mounted.
- In-ground mounted.

Options:

- Stainless steel standard anchor.
- Stainless steel antitheft anchor.
- High density polyethylene dome lid.
- Funnel type, steel lid.
- Surface footer.
- Inground installation footer.
- Side ashtray.

Weight (#55_): 97 lb.
Weight (#55_-OPD and #55_-OPE): 106 lb.



Features:

- The flower planter is made of *ULTRAPLAST™* recycled plastic, the structure is of cast aluminum and steel coated with our "InfiniGuard Professional" system.
- The flower planter is made of 2" x 7" (41mm x 153mm).
- The legs are made of cast aluminum and the structure is made of steel.
- Stainless steel hardware.
- Stainless steel standard anchor.
- Polyethylene plastic liner, 32 gal. US (121 liters) capacity.
- Factory assembled.

Standard installation details:

- Surface mounted.

Options:

- Stainless steel antitheft anchor.
- Lid.
- Side astrey
- Shipped ready to be assembled.



URBAIN DESIGN™ WARRANTY



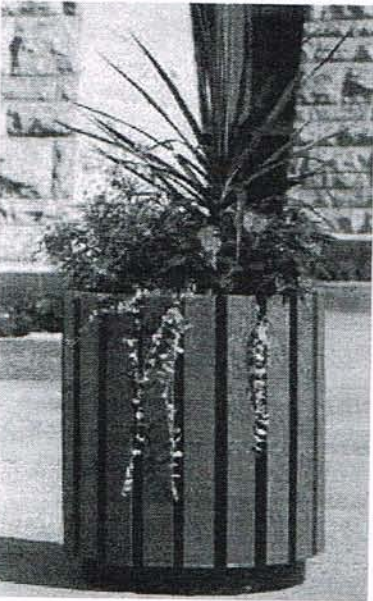
URBAIN DESIGN PROVIDES ON ITS SITE FURNISHING AN EXTENDED 25 YEARS LIMITED WARRANTY FROM THE DATE OF INVOICE.

- 25-year limited warranty on recycled plastic against rotting, splitting, cracking or splintering during this period.
- 10-year limited warranty against structural failure of all steel, cast iron and cast aluminum frames and supports under standard maintenance and use.
- 10-year limited warranty on InfiniGuard Premium anti-corrosion system submitted to natural elements.
- 8-year limited warranty on InfiniGuard Professional anti-corrosion system submitted to natural elements.
- 5-year limited warranty on InfiniGuard Standard anti-corrosion system submitted to natural elements.
- 1-year limited warranty on workmanship and/or manufacturing defect on all products.

WITHIN THE LIMITS OF THE LAW, THESE WARRANTIES HAVE ABSOLUTE PRIORITY ON ANY OTHER WARRANTIES IMPLIED OR EXPRESSED OR ANY OTHER APPROACH FROM ANYONE, INCLUDING ALL IMPLIED SALES WARRANTIES.

THE WARRANTIES DO NOT COVER DAMAGES CAUSED BY NEGLIGENCE, LACK OF MAINTENANCE, VANDALISM, INAPPROPRIATE INSTALLATION, MISUSE, ABUSE, NEW DESIGN WITHOUT AUTHORIZATION, ADDITION OR SUBSTITUTION OF NON-APPROVED PARTS, ULTRAVIOLET RADIATION, INTENTIONAL DEMOLITION, ACTS OF GOD OR ANY OTHER UNFIT USE OF THE PRODUCT FROM ITS INITIAL USE.

THE WARRANTY CLAIMS MUST BE RECEIVED WITHIN THE APPLICABLE WARRANTY PERIOD WITH A COPY OF THE ORIGINAL INVOICE OR INVOICE NUMBER. THE WARRANTIES WILL ONLY COVER THE REPLACEMENT OF THE DEFECTIVE PARTS.



Plastiques Cascades – Re-Plast

1350 ch. Quatre Saisons
Notre-Dame-du-Bon-Conseil
(Quebec) Canada
J0C 1A0

Telephone: 819 336-2440
Fax: 819 336-2442
Customer service: 1 888 313-2440



Cleaning your furniture

Instruction to clean plastic lumber:

All exterior products require regular cleaning.

Use mild soap, diluted bleach (1 cup bleach per bucket of water), and a stiff-bristled brush. To rinse, flush with running water.

NEVER use abrasive or greater than 1200psi pressure jet cleaner.

Perma-Deck Advantage+

Grease stains	Household grease remover
Mould	Solution: mild soap/bleach
Leaves, rust	Solution: mild soap/bleach
Scratches, burns	Light sanding/brushing, stainless steel brush
	Note: Advantage+ is not affected by most chemical products. Very easy to maintain.

Instruction to clean your furniture structure (for steel or aluminium):

Use soap and mild cloth to wash your furniture structure.

ENVIR CURB

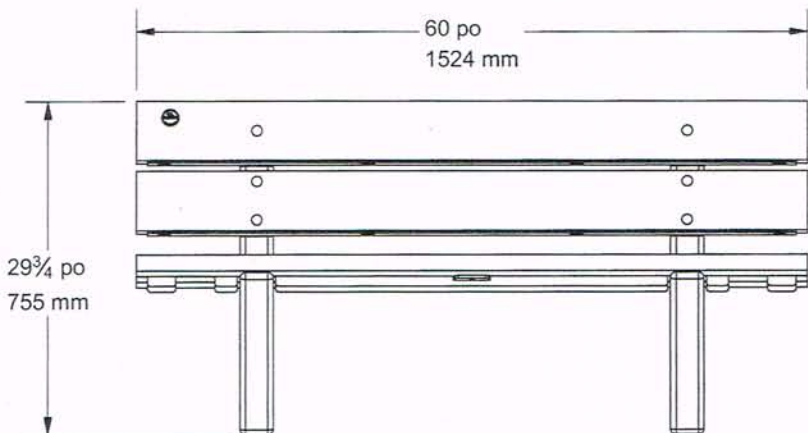
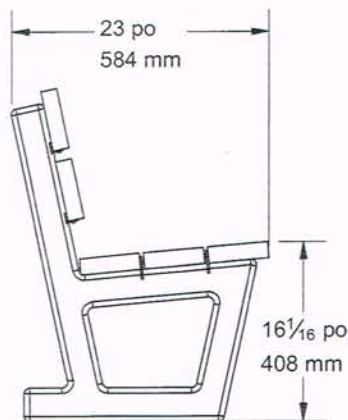
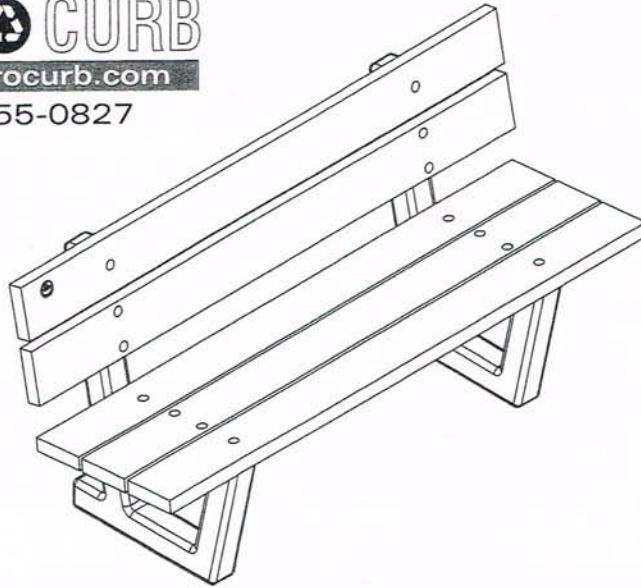
www.envirocurb.com

1-800-655-0827

Park Series - 60" Standard Bench

#16

Rev. May 5th, 2011



Features:

- The bench slats and legs are made of ULTRAPLAST™ recycled plastic.
- Reinforcement are made of flat steel, 2" x 3/16" (51 mm x 5mm) and flat steel bar, 3" x 1/4" (76mm x 6.5mm) coated with our black InfiniGuard Professional anti-corrosion System.
- The backrest and seat slats are made of 2" x 6" (37mm x 137mm)
- The legs are made of black ULTRAPLAST™ recycled plastic. Screws are inserted in the plastic during molding to fix the backrest and seat slats.
- Hidden hardware.
- Shipped ready to be assembled.

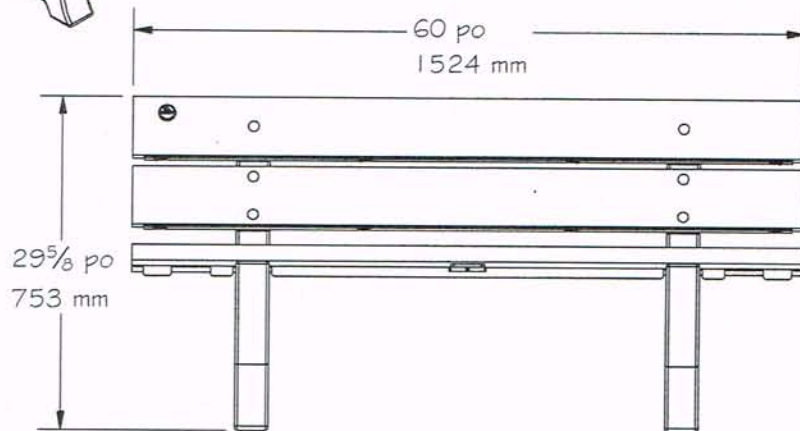
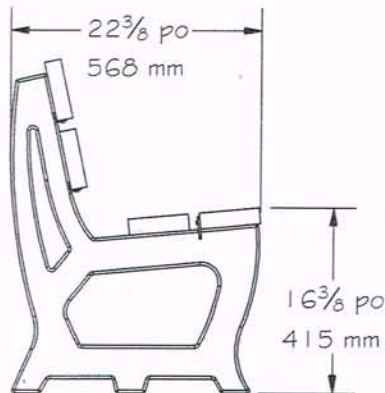
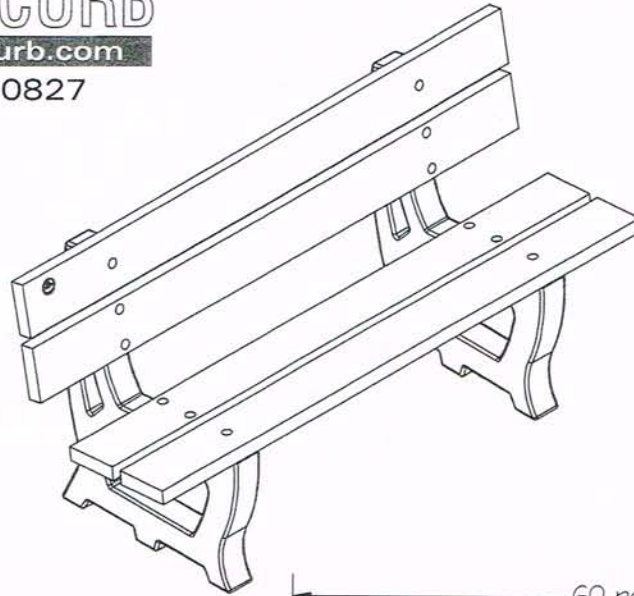
Standard installation details:

- Surface mounted.

Options:

- Stainless steel standard anchor.
- Stainless steel antitheft anchor.
- Factory assembled.
- Armrest.

Weight: 143 lb



Features:

- The bench slats and legs are made of ULTRAPLAST™ recycled plastic.
- Reinforcement are made of flat steel, 2" x 3/16" (51 mm x 5mm) and flat steel bar, 3" x 1/4" (76mm x 6.5mm) coated with our black InfiniGuard Professional anti-corrosion System.
- The backrest and seat slats are made of 2" x 6" (37mm x 137mm)
- The legs are made of black ULTRAPLAST™ recycled plastic. Screws are inserted in the plastic during molding to fix the backrest and seat slats.
- Hidden hardware.
- Shipped ready to be assembled.

Standard installation details:

- Surface mounted.

Options:

- Stainless steel standard anchor.
- Stainless steel antitheft anchor.
- Factory assembled.
- Armrest.

ENVIR  CURB

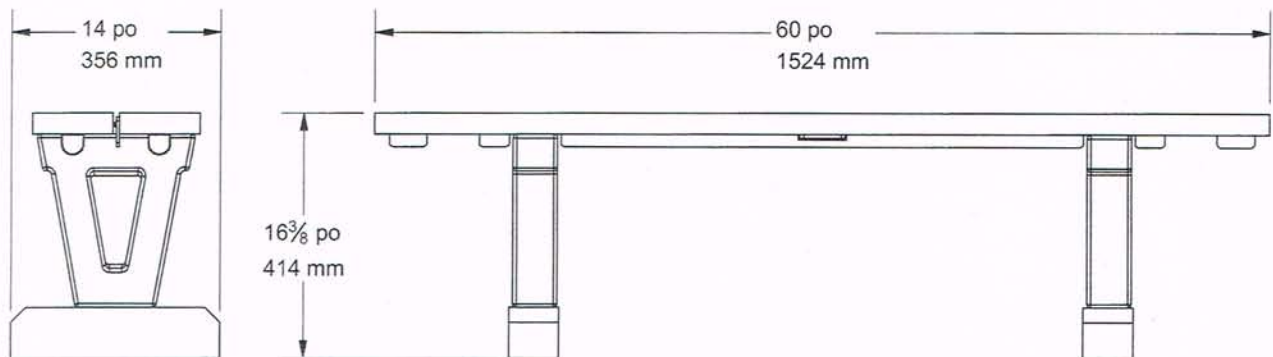
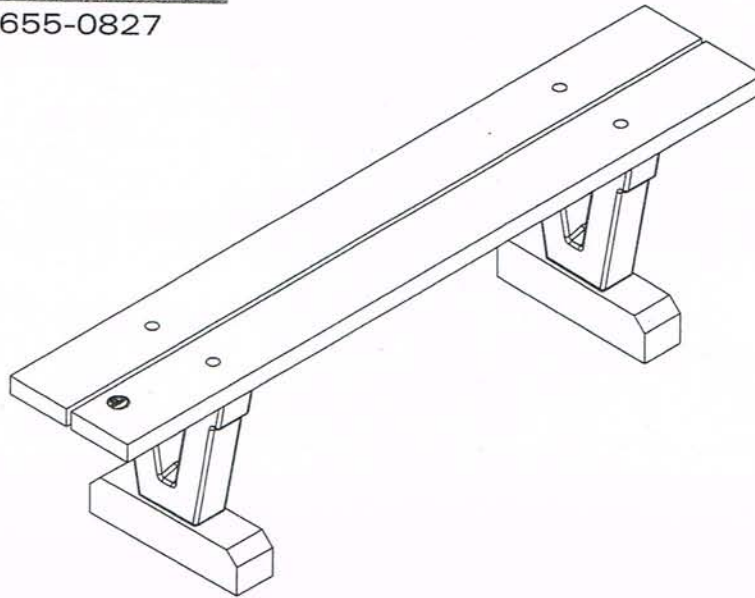
www.envirocurb.com

1-800-655-0827

Park Series - 60" Straight Bench

#18

Rev. May 5th, 2011



Features:

- The bench slats and legs are made of ULTRAPLAST™ recycled plastic.
- Reinforcement are made of flat steel, 2" x 3/16" (51 mm x 5mm) and flat steel bar, 3" x 1/4" (76mm x 6.5mm) coated with our black InfiniGuard Professional anti-corrosion System.
- The backrest and seat slats are made of 2" x 6" (37mm x 137mm)
- The legs are made of black ULTRAPLAST™ recycled plastic. Screws are inserted in the plastic during molding to fix the backrest and seat slats.
- Hidden hardware.
- Shipped ready to be assembled.

Standard installation details:

- Surface mounted.

Options:

- Stainless steel standard anchor.
- Stainless steel antitheft anchor.
- Factory assembled.
- Armrest.

Weight: 66 lb

ENVIR CURB

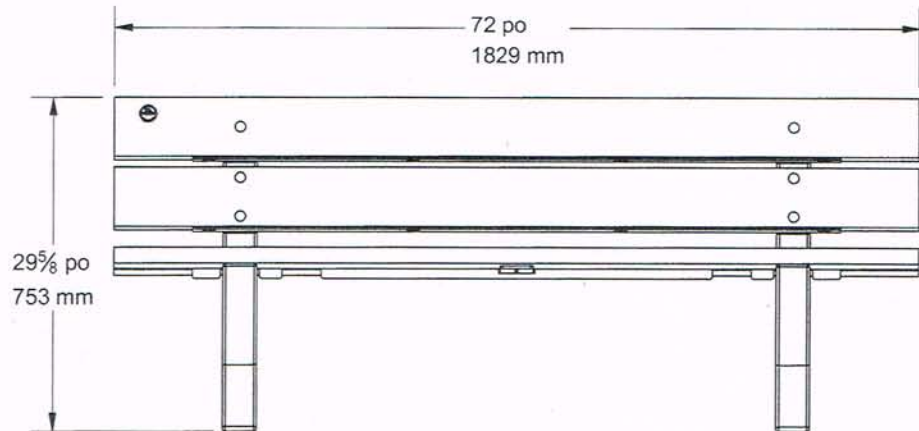
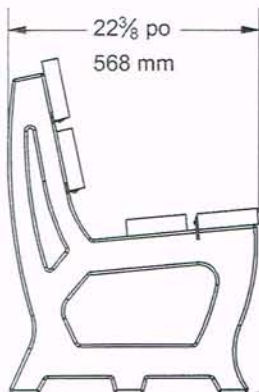
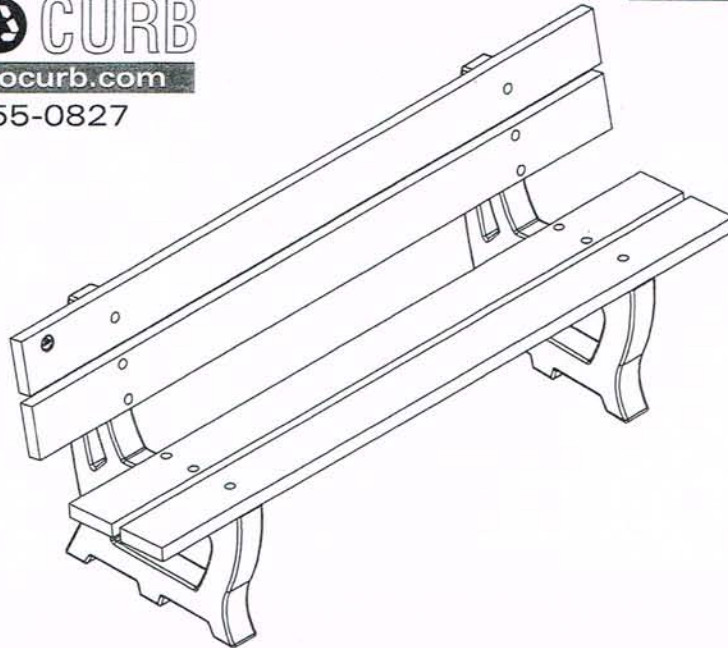
www.envirocurb.com

1-800-655-0827

Park Series - 72" Deco Bench

#19

Rev. May 5th, 2011



Features:

- The bench slats and legs are made of ULTRAPLAST™ recycled plastic.
- Reinforcement are made of flat steel, 2" x 3/16" (51 mm x 5mm) and flat steel bar, 3" x 1/4" (76mm x 6.5mm) coated with our black InfiniGuard Professional anti-corrosion System.
- The backrest and seat slats are made of 2" x 6" (37mm x 137mm)
- The legs are made of black ULTRAPLAST™ recycled plastic. Screws are inserted in the plastic during molding to fix the backrest and seat slats.
- Hidden hardware.
- Shipped ready to be assembled.

Standard installation details:

- Surface mounted.

Options:

- Stainless steel standard anchor.
- Stainless steel antitheft anchor.
- Factory assembled.
- Armrest.

Weight: 142 lb

ENVIR CURB

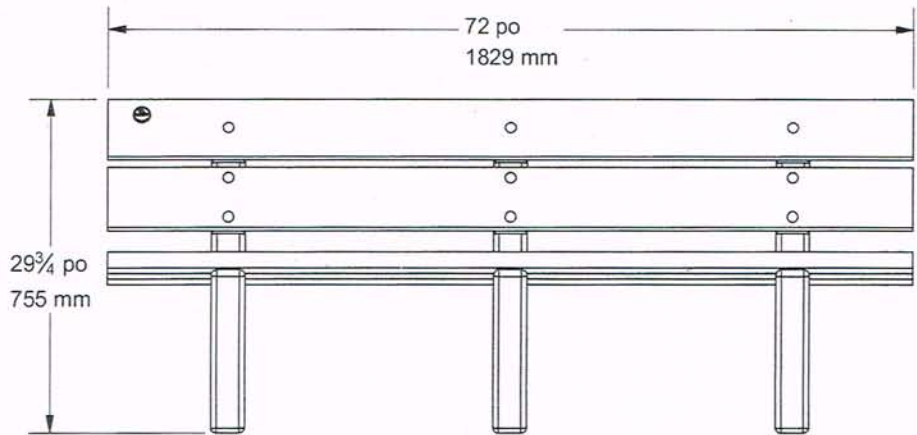
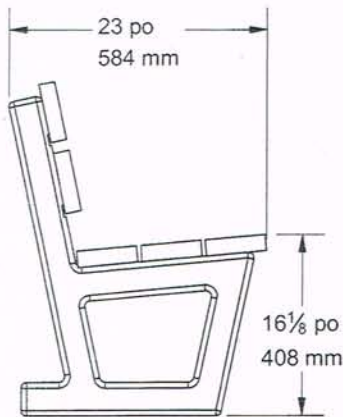
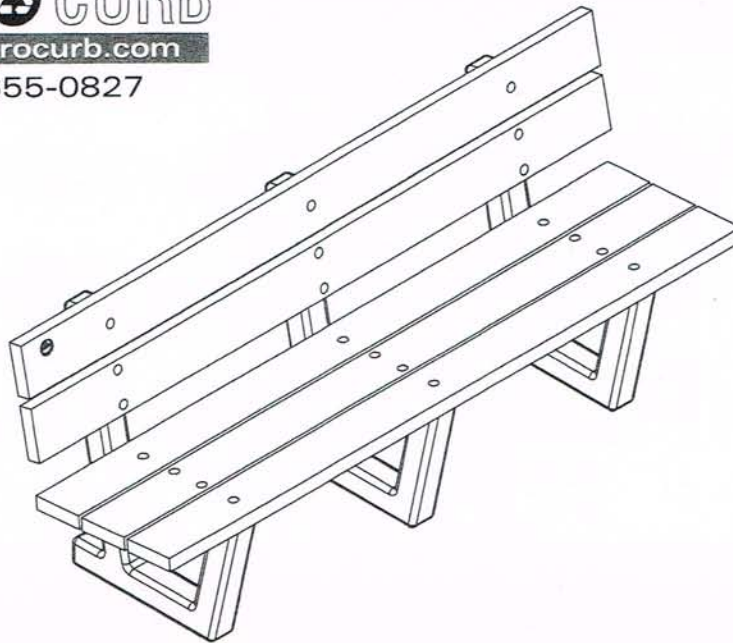
www.envirocurb.com

1-800-655-0827

Park Series - 72" Standard Bench, Three Supports

#21

Rev. May 5th, 2011



Features:

- The seat and backrest slats 2" x 6" (37mm x 137mm) are made of ULTRAPLAST™ recycled plastic.
- The legs are made of black ULTRAPLAST™ recycled plastic. Screws are inserted in the plastic during molding to fix the backrest and seat slats.
- Hidden hardware.
- Shipped ready to be assembled.

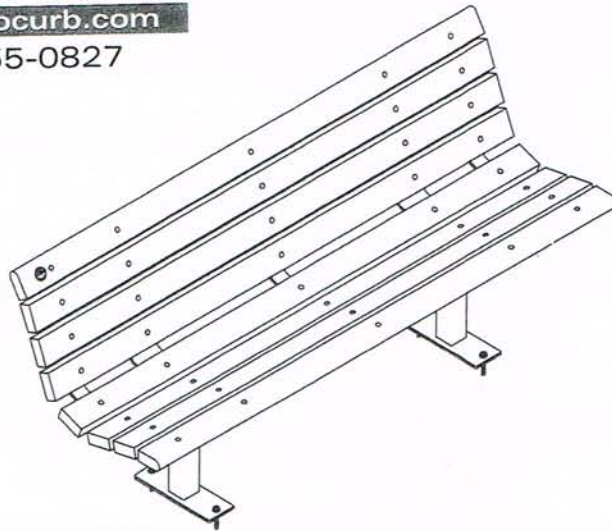
Standard installation details:

- Surface mounted.

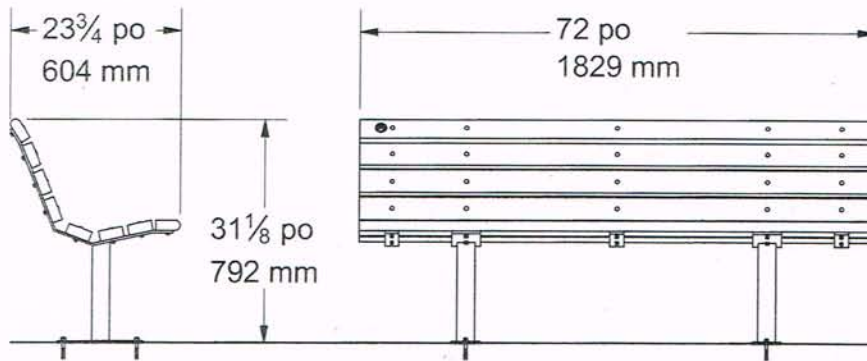
Options:

- Stainless steel standard anchor.
- Stainless steel antitheft anchor.
- Factory assembled.
- Armrest.

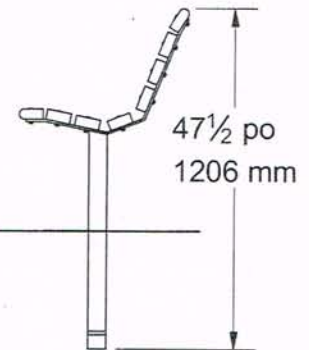
Weight: 162 lb



Surface mounted



In-ground mounted



Features:

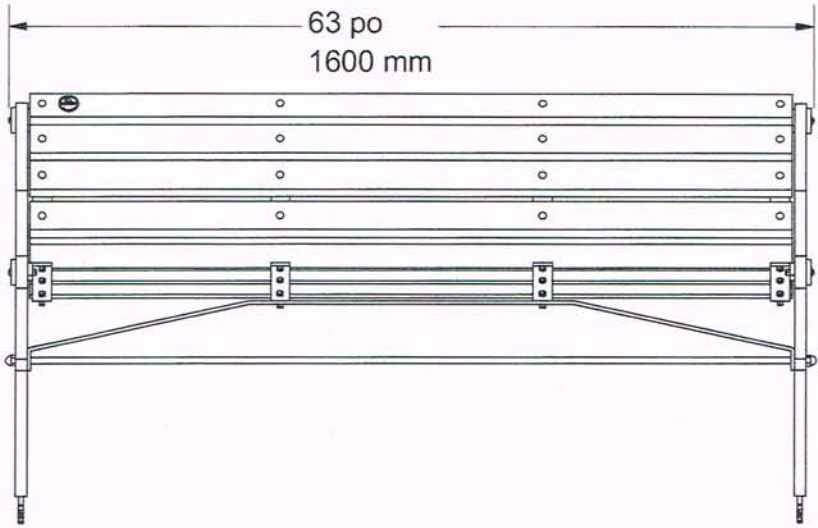
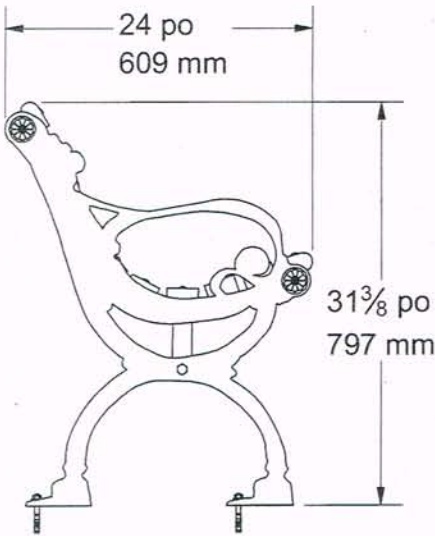
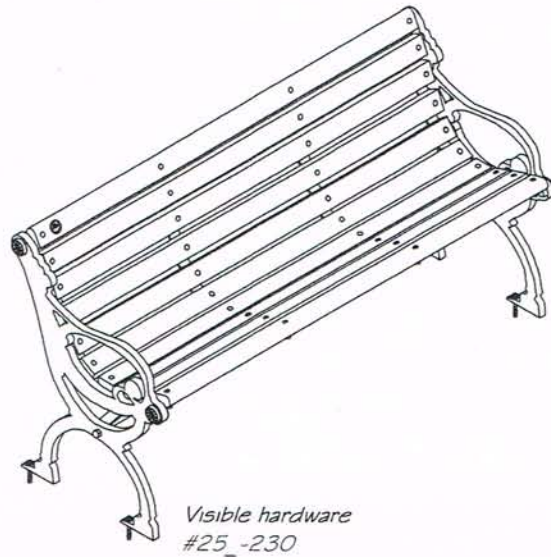
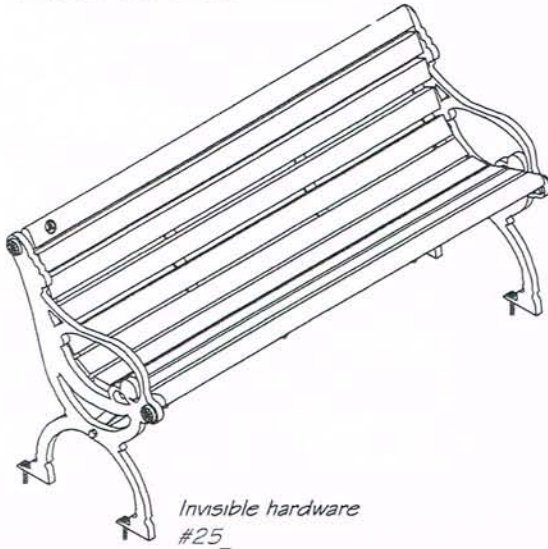
- The bench slat are made of ULTRAPLAST™ recycled plastic and its structure is made of steel.
- The bench is made of 2" x 4" (37mm x 86mm) slats and 2" x 4" (37mm x 86mm) Bullnose slats.
- The structure is coated with our InfiGuard Professional anti-corrosion system coated with our "InfiGuard Professional" anti-corrosion system.
- Tubular steel legs, 2 1/2" x 2 1/2" (67mm x 67mm).
- Flat steel seat reinforcement, 5/16" x 2" (8mm x 51 mm).
- Stainless steel hardware.
- Hardware visible or invisible.
- Stainless steel standard anchor.
- Shipped ready to be assembled.

Standard installation details:

- Surface mounted.
- In-ground mounted.

Options:

- Stainless steel anti-theft hardware.
- Stainless steel anti-theft anchor.
- Armrest.
- Factory assembled.



Features:

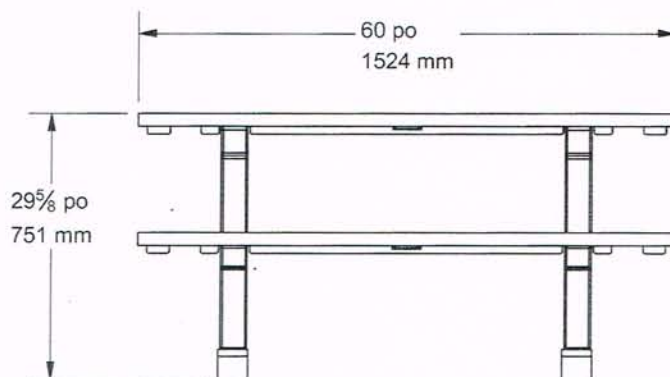
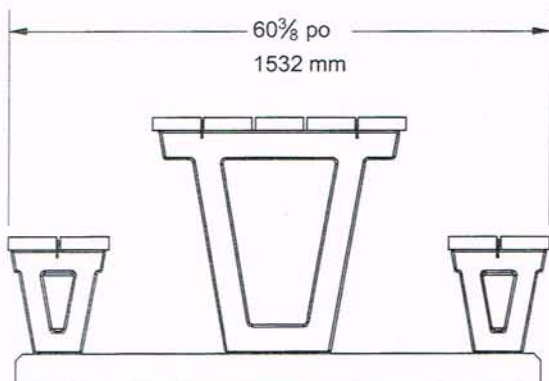
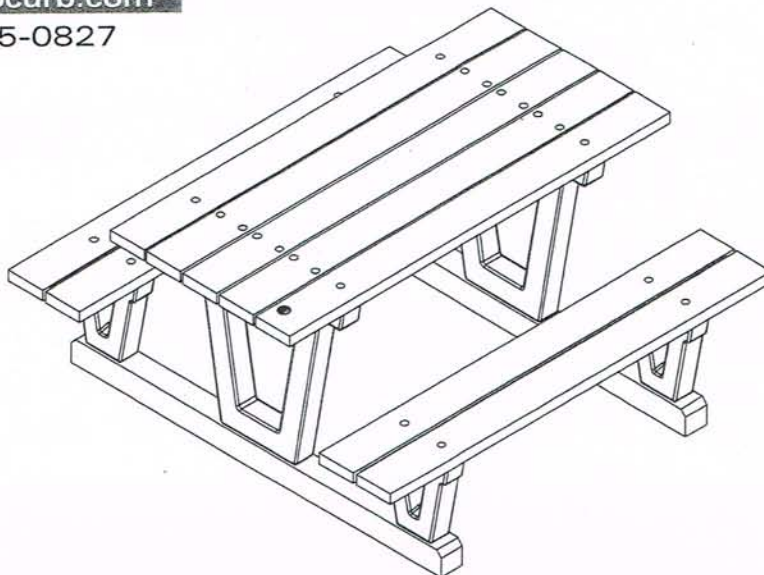
- This slat bench is made of *ULTRAPLAST*™ recycled plastic, the legs are made of cast aluminum and the structure is made of steel.
- The structure and legs are coated with our "InfiniGuard Professional" anti-corrosion system.
- The bench is built with 2 x 3" (37 x 62mm) slats and 2 x 3" (37 x 62mm) "bullnose" slats.
- The structural ties are made of 1/4 x 1 1/2" (6.3 x 38mm) flat steel and of 1/2" (13mm) steel rod.
- Flat steel seat reinforcement, 1/4" x 2" (6.3mm x 51mm).
- Stainless steel hardware.
- Visible hardware or invisible hardware.
- Stainless steel standard anchor for concrete.
- Shipped ready to be assembled.

Standard installation details:

- Surface mounted.

Options:

- Stainless steel anti-theft anchor.
- Factory-assembled.



Features:

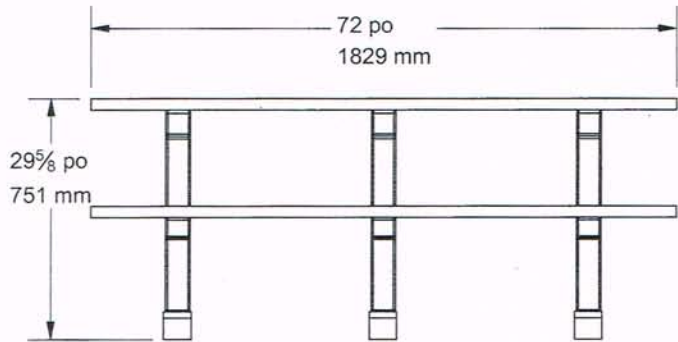
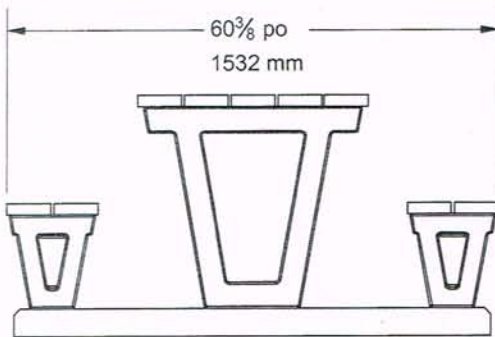
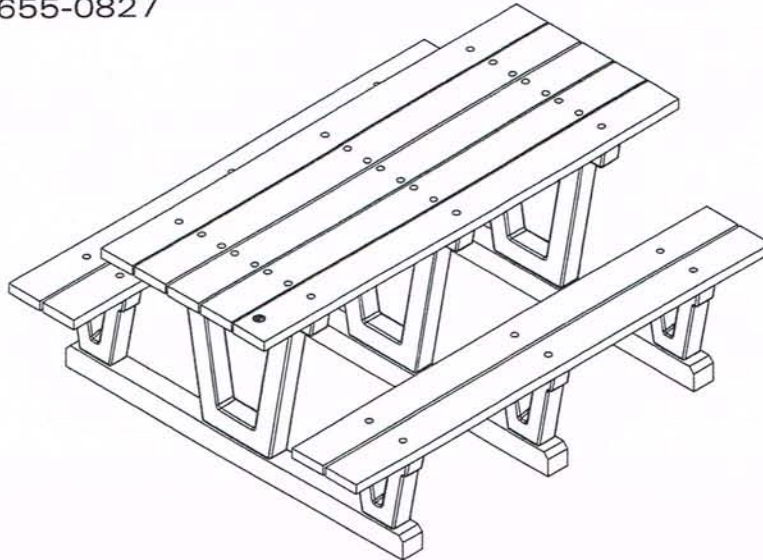
- The seat and table slats, 2" x 6" (37mm x 137mm) are made of ULTRAPLAST™ recycled plastic
- The slats are reinforced with flat steel bars, 2" x 3/16" (51 mm x 5mm) and flat steel bar, 3" x 1/4" (76mm x 6.5mm). Coated with our Black InfiniGuard Professional anti-corrosion system.
- The legs are made of black ULTRAPLAST™ recycled plastic. Screws are inserted in the plastic during molding to fix the table and seat slats.
- Hidden hardware.
- Shipped ready to be assembled.

Standard installation details:

- Surface mounted.

Options:

- Stainless steel standard anchor.
- Stainless steel antitheft anchor.
- Factory assembled.



Features:

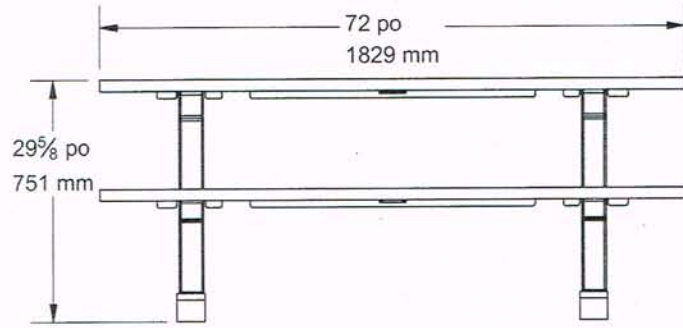
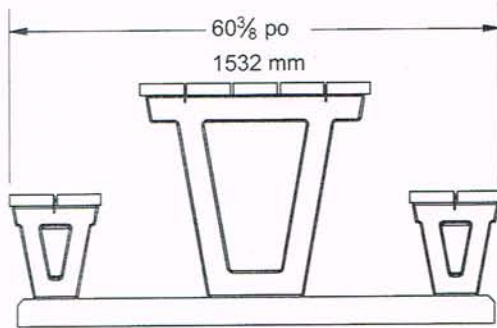
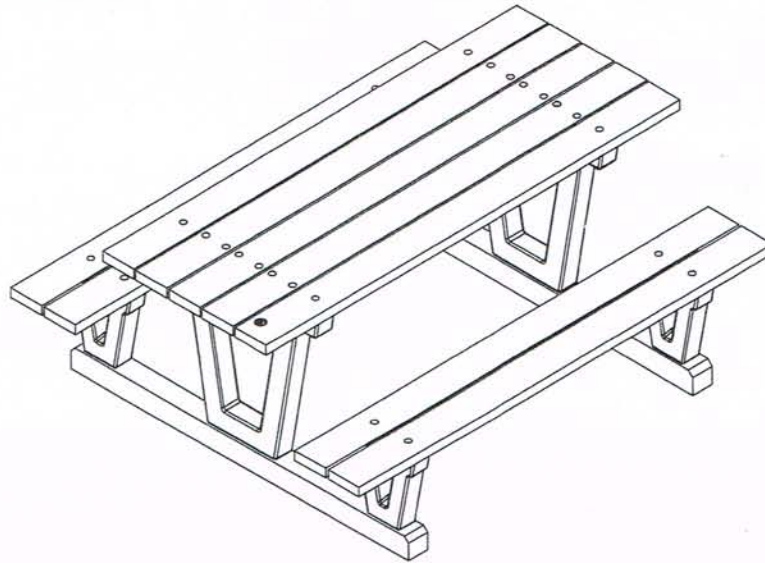
- The seat and table slats, 2" x 6" (37mm x 137mm) are made of ULTRAPLAST™ recycled plastic
- The legs are made of black ULTRAPLAST™ recycled plastic. Screws are inserted in the plastic during molding to fix the table and seat slats.
- Hidden hardware.
- Shipped ready to be assembled.

Standard installation details:

- Surface mounted.

Options:

- Stainless steel standard anchor.
- Stainless steel antitheft anchor.
- Factory assembled.



Features:

- The seat and table slats, 2" x 6" (37mm x 137mm) are made of ULTRAPLAST™ recycled plastic
- The slats are reinforced with flat steel bars, 2" x 3/16" (51 mm x 5mm) and flat steel bar, 3" x 1/4" (76mm x 6.5mm). Coated with our Black InfiniGuard Professional anti-corrosion system.
- The legs are made of black ULTRAPLAST™ recycled plastic. Screws are inserted in the plastic during molding to fix the table and seat slats.
- Hidden hardware.
- Shipped ready to be assembled.

Standard installation details:

- Surface mounted.

Options:

- Stainless steel standard anchor.
- Stainless steel antitheft anchor.
- Factory assembled.

ENVIR  CURB

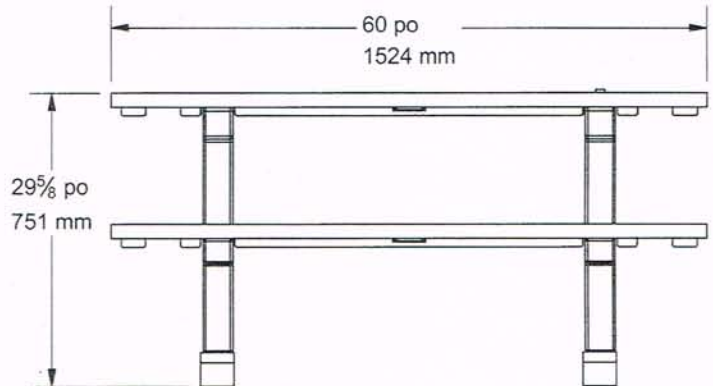
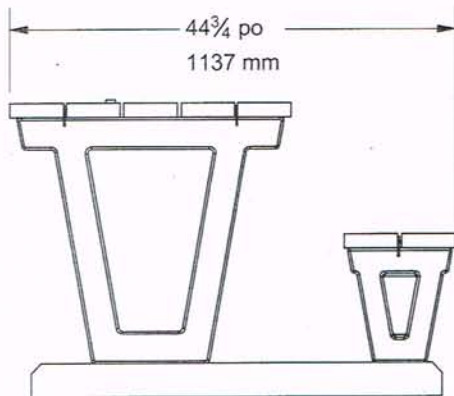
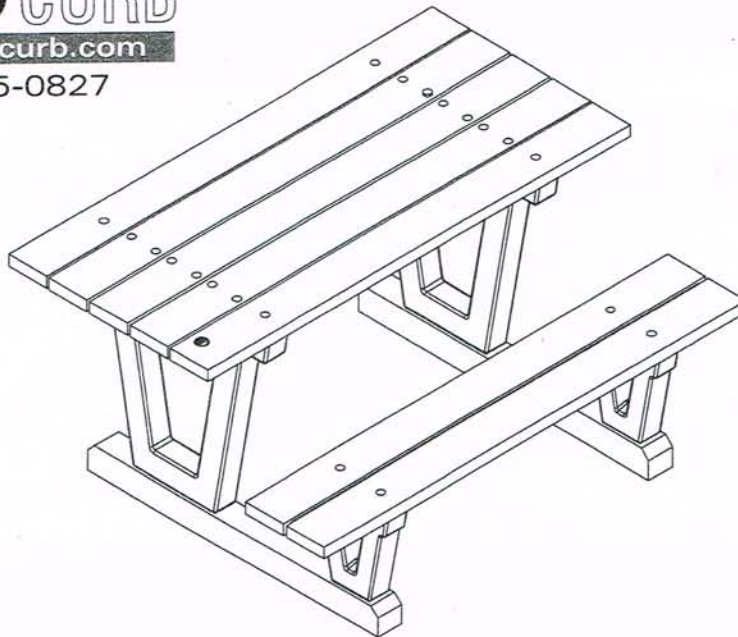
www.envirocurb.com

1-800-655-0827

Park Series - 60" Wheelchair Accessible Picnic Table

#45

Rev.; May 5th, 2011



Features:

- The seat and table slats, 2" x 6" (37mm x 137mm) are made of ULTRAPLAST™ recycled plastic
- The slats are reinforced with flat steel bars, 2" x 3/16" (51 mm x 5mm) and flat steel bar, 3" x 1/4" (76mm x 6.5mm). Coated with our Black InfinityGuard Professional anti-corrosion system.
- The legs are made of black ULTRAPLAST™ recycled plastic. Screws are inserted in the plastic during molding to fix the table and seat slats.
- Hidden hardware.
- Wheelchair accessible.
- Shipped ready to be assembled.

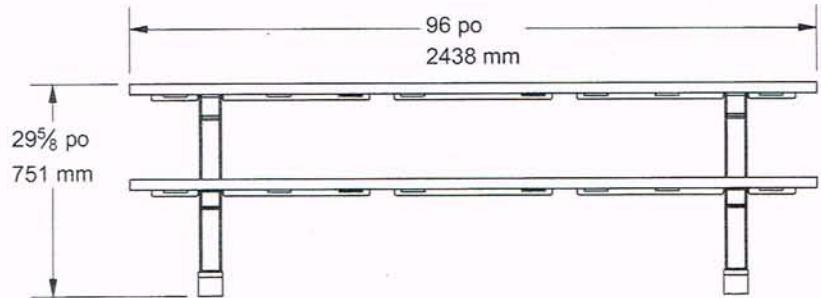
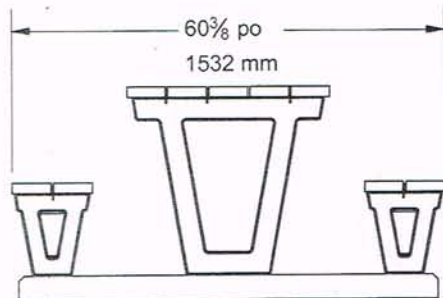
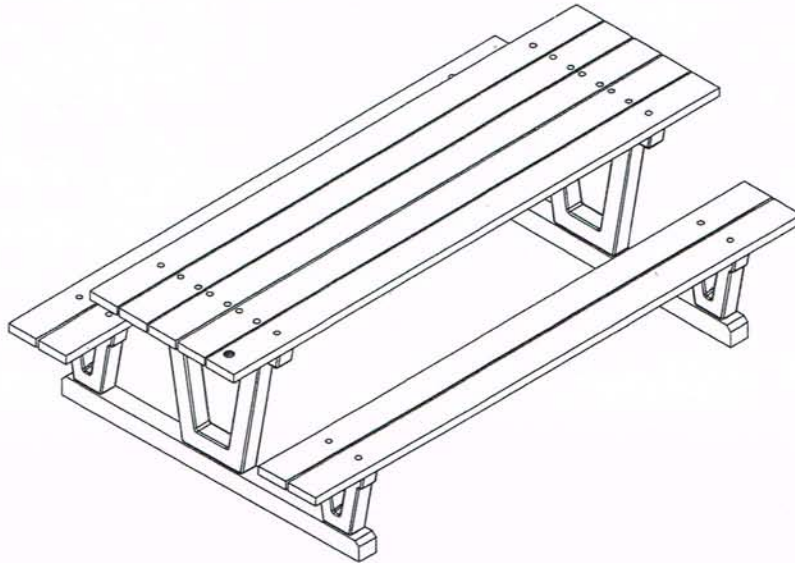
Standard installation details:

- Surface mounted.

Options:

- Stainless steel standard anchor.
- Stainless steel antitheft anchor.
- Factory assembled.

Weight: 236 lb



Features:

- The seat and table slats, 2" x 6" (37mm x 137mm) are made of ULTRAPLAST™ recycled plastic
- The slats are reinforced with flat steel bars, 2" x 3/16" (51mm x 5mm) and flat steel bar, 3" x 1/4" (76mm x 6.5mm). Coated with our Black InfiniGuard Professional anti-corrosion system.
- The legs are made of black ULTRAPLAST™ recycled plastic. Screws are inserted in the plastic during molding to fix the table and seat slats.
- Hidden hardware.
- Shipped ready to be assembled.

Standard installation details:

- Surface mounted.

Options:

- Stainless steel standard anchor.
- Stainless steel antitheft anchor.
- Factory assembled.

Park Series - 96" Wheelchair Accessible Picnic Table

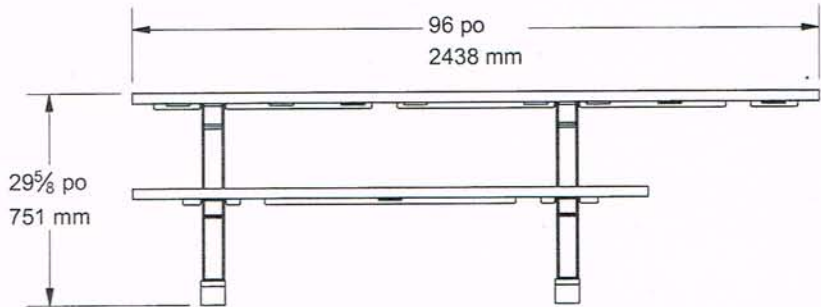
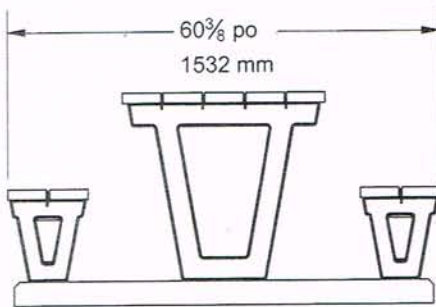
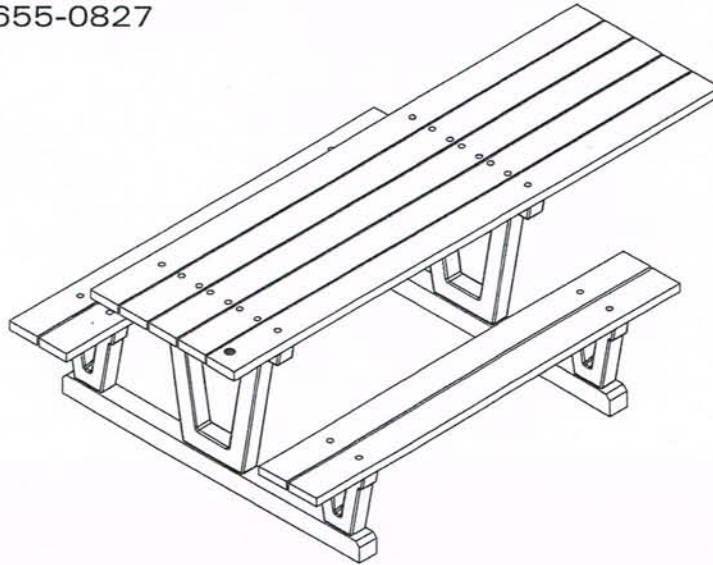
ENVIR  CURB

www.envirocurb.com

1-800-655-0827

#47

Rev.; May 5th, 2011



Features:

- The seat and table slats, 2" x 6" (37mm x 137mm) are made of ULTRAPLAST™ recycled plastic
- The slats are reinforced with flat steel bars, 2" x 3/16" (51mm x 5mm) and flat steel bar, 3" x 1/4" (76mm x 6.5mm). Coated with our Black InfiniGuard Professional anti-corrosion system.
- The legs are made of black ULTRAPLAST™ recycled plastic. Screws are inserted in the plastic during molding to fix the table and seat slats.
- Hidden hardware.
- Wheelchair accessible.
- Shipped ready to be assembled.

Standard installation details:

- Surface mounted.

Options:

- Stainless steel standard anchor.
- Stainless steel antitheft anchor.
- Factory assembled.

Weight: 404 lb